

IF YOU...



MIX IT. FILL IT. PACK IT. SHIP IT.

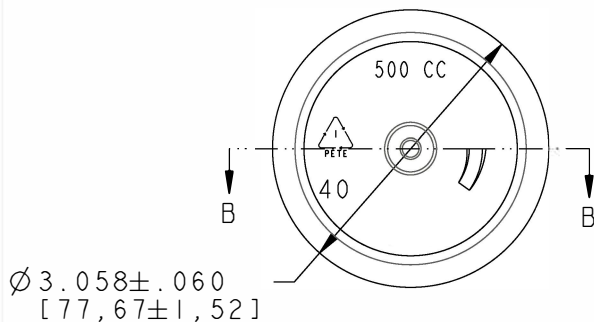
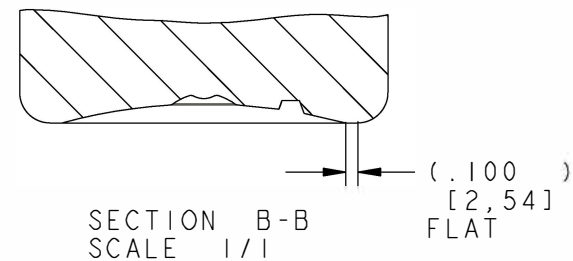
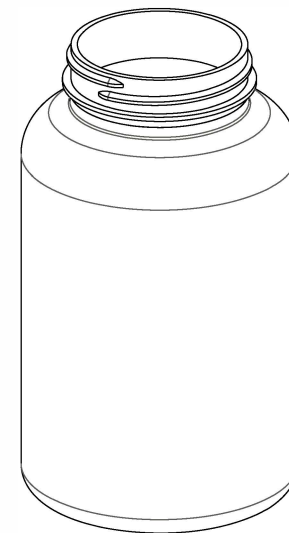
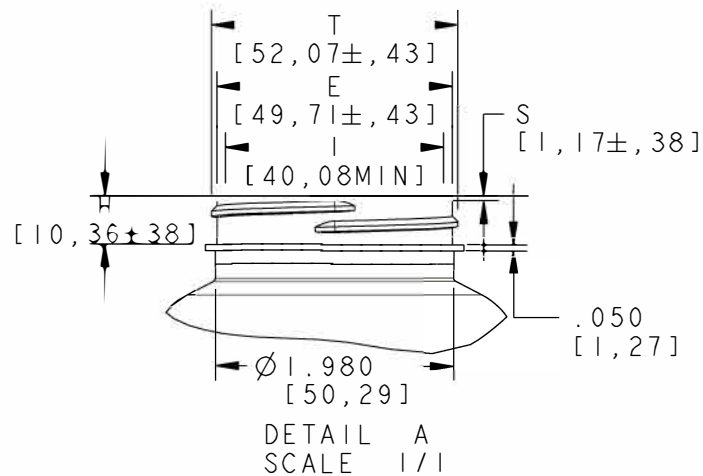
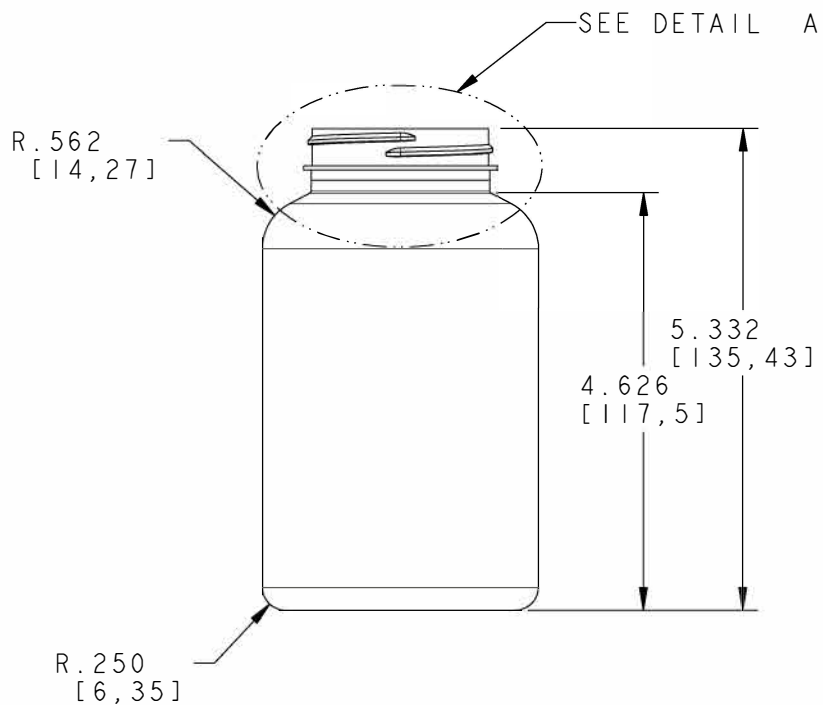
WE HAVE A PRODUCT FOR YOU

Part #: 30W0PG



The
CARYCOMPANY
Est. 1895

1195 W. Fullerton Ave. | Addison, IL 60101 | T: 630.629.6600 | F: 630.629.3690 |



Neck Finish: M53SP400		DISCLAIMER: The Cary Company assumes no responsibility for form, fit and function of closures, accessories, and/or shelf life and compatibility of intended contents with this			
All measurements are in inches, [Metric]	Min Thk	Color	Weight	Std. Pack	Revisions
	.012 [30]	All Colors	54 Gms±3	140, Stack	A Was +/-1,09-12-05, sct B Add Metric, 5/20/10, sct C Tol was +/-2,11/5/13, sct
Neck Dimensions:					Tolerance: Where not shown Decimal ±0.05 [1,27] Angular ±1°
T = 2.050±.017 E = 1.957±.017 H = .408±.015 I = 1.578 MIN S = .046±.015					
Overflow Capacity: 531 ml ± 13					Material: PET
				The CARY COMPANY Est. 1895	
				Scale: 3/4 Drawn By: SCT Date: 11-19-02	
				500 CC, STRAIGHT SIDED, PET, 53-400 CT 500S53PET C	
				Approved By: SJ Drawing NO: 500PS1XX53M400	