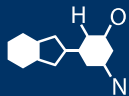


IF YOU...



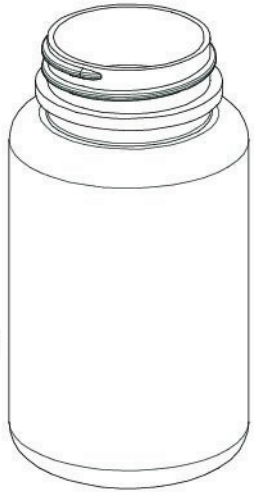
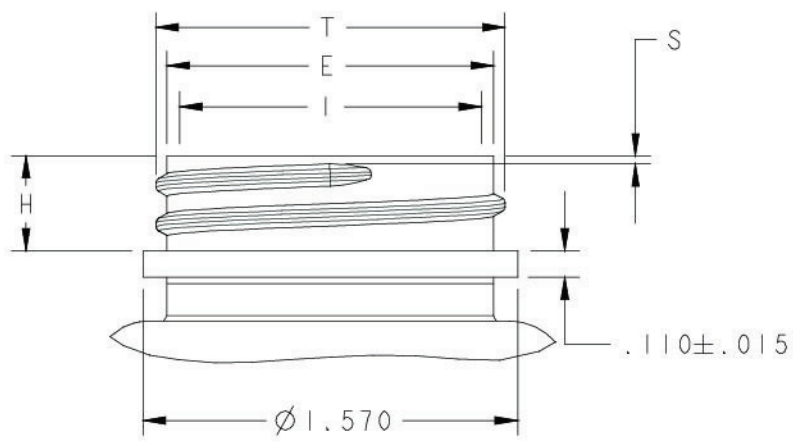
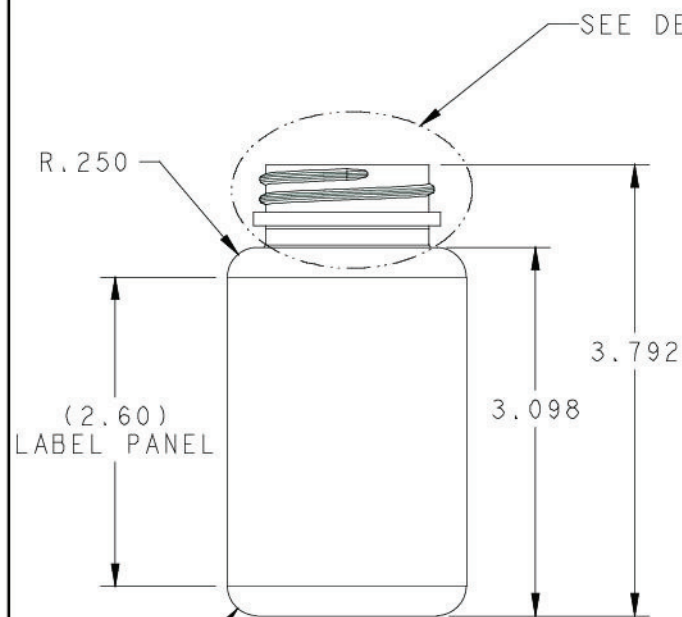
MIX IT. FILL IT. PACK IT. SHIP IT.

WE HAVE A **PRODUCT** FOR YOU

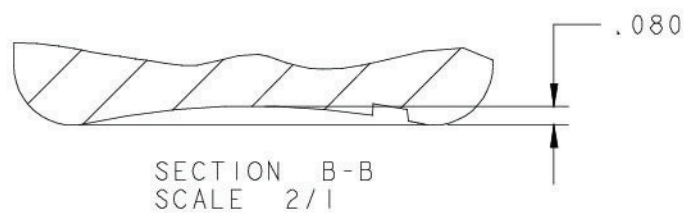
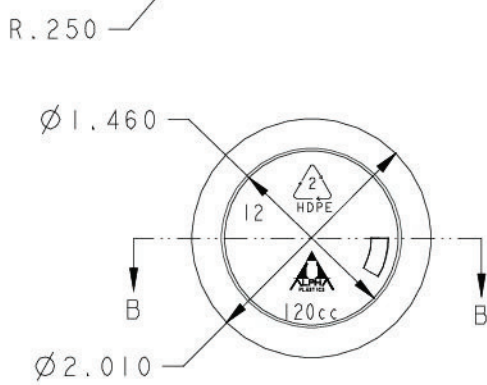
Part # 30W121

4 oz. (120cc) White HDPE Plastic Packer Bottle,
38mm 38-400





DETAIL A
SCALE 2/1



SECTION B-B
SCALE 2/1

Neck Finish: L38SP400							
All measurements are in inches	Min Thk	Color	Weight	Std. Pack	Revisions		
	.015	All Colors	17 Gms±1	450, Bulk	D Doc chg only, sct 12/16/83		
Neck Dimensions:					Tolerance: Where not shown Decimal ±0.050 Angular ±1°		Scale:
T = 1.464±.012 E = 1.370±.012 H = .403±.015 I = .987 MIN S = .046±.015		Overflow Capacity: 158 ml ± 5			Material: HDPE		120cc, STRAIGHT SIDED, HDPE, 38-400 CT, IBM 120S38
					Approved By: SJ		04-15-02 DwgRev D
					Drawing NO: 120PS2XX38L400		

Supplied By: **The Cary Company**
Ph: 630-629-6600
www.thecarycompany.com

The
CARY COMPANY
Est. 1895