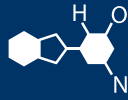


# IF YOU...



MIX IT. FILL IT. PACK IT. SHIP IT.

# WE HAVE A **PRODUCT** FOR YOU

Part # 30W12R

---

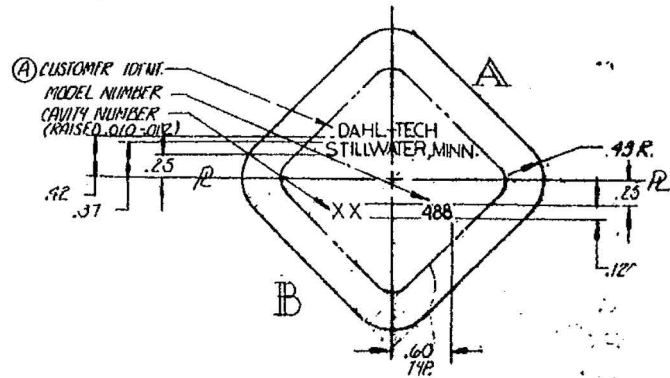
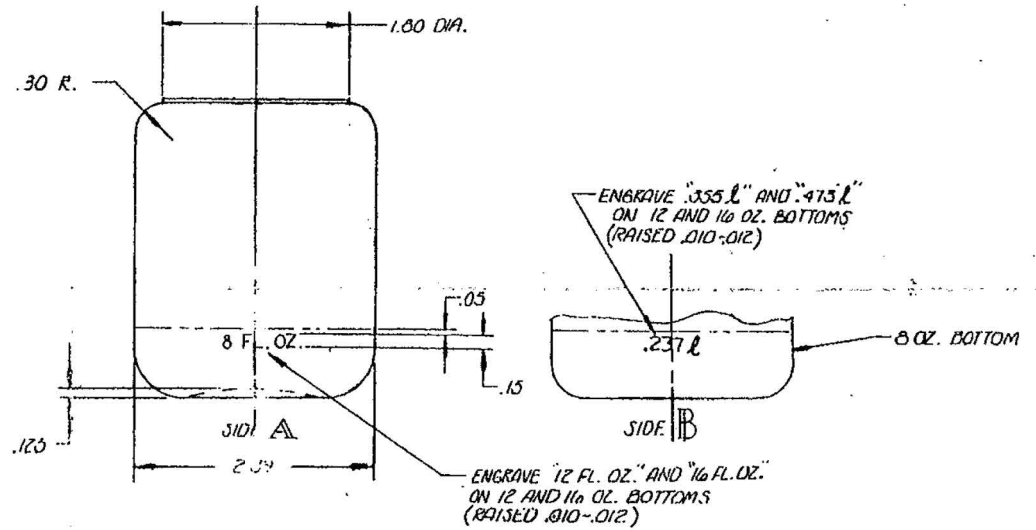
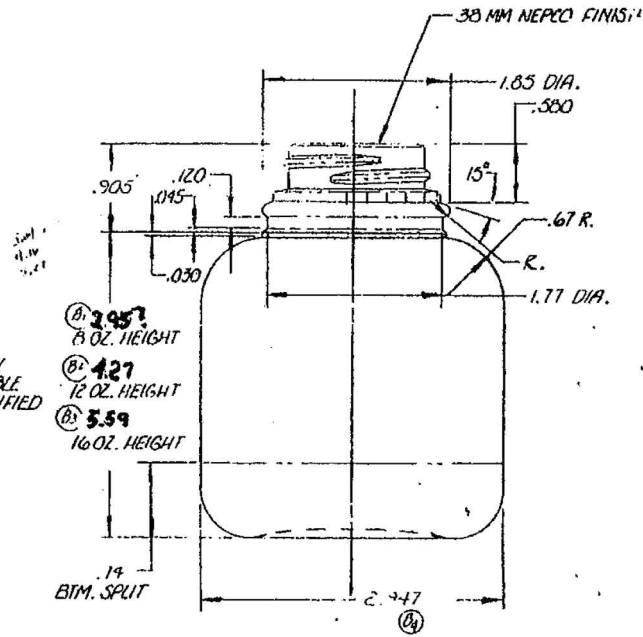
12 oz. Natural HDPE Plastic Tamper Evident Rectangular Bottle, 38mm 38-400 (Ratchet)

---



# The CARY COMPANY

Est. 1895



CONTAINER WEIGHT  
15 GRAMS