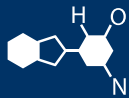


# IF YOU...



MIX IT. FILL IT. PACK IT. SHIP IT.

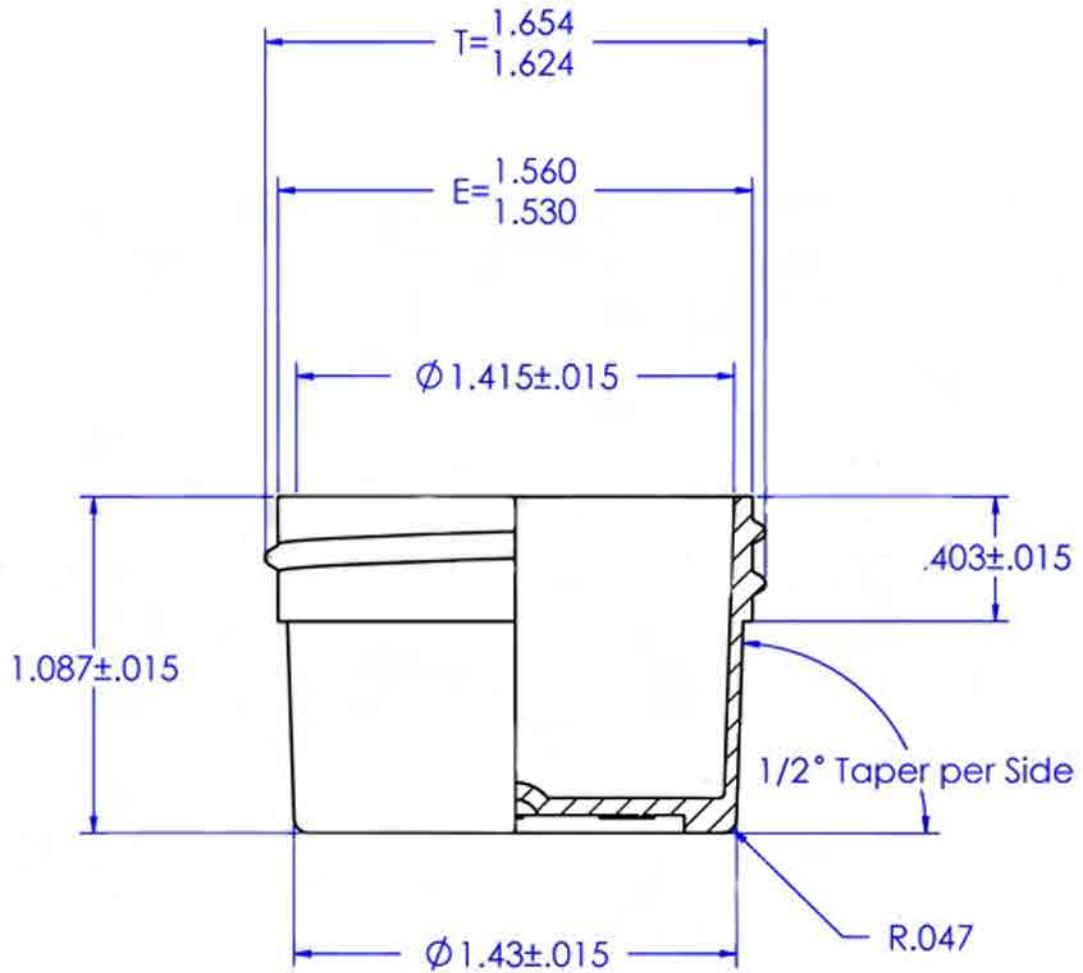
# WE HAVE A **PRODUCT** FOR YOU

Part # 30W12W

---

---





**DECORATION AREA**

WRAP: 4.3 inch  
HEIGHT: 0.46 inch  
DRAFT:  $1/2^\circ$  per Side

NAME	DATE
W. OTT	11/09/2012
MATERIAL: PP	
APPROX WEIGHT: .5.5 grams	
APPROX OVERFLOW: 23.5 ml	
THREAD: "L" STYLE, 6 TPI PITCH	
COMMENTS:	

PART DESCRIPTION:	
<b>1/2oz 43mm-400 Regular Wall Jar</b>	
SIZE: <b>A</b>	PART CODE
SCALE: 1:1	DO NOT SCALE DRAWING
REV.:	SHEET 1 OF 1

TOLERANCE		REVISIONS		
DIM.	TOL.	REV.	DATE	DESCRIPTION
.00	.015			
.000	.010			

