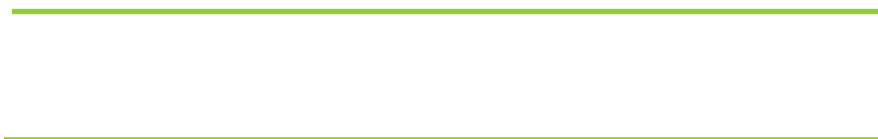


IF YOU...



MIX IT. FILL IT. PACK IT. SHIP IT.

WE HAVE A **PRODUCT** FOR YOU

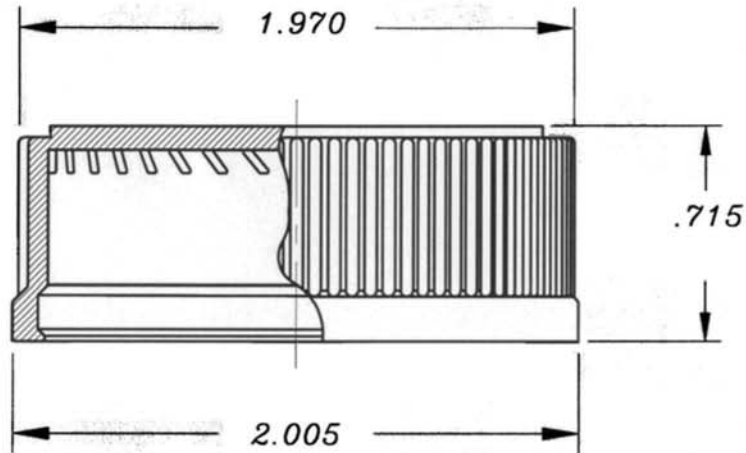


Part #	30W143
Neck Width	1-3/4"
Color	White
Material	Metal

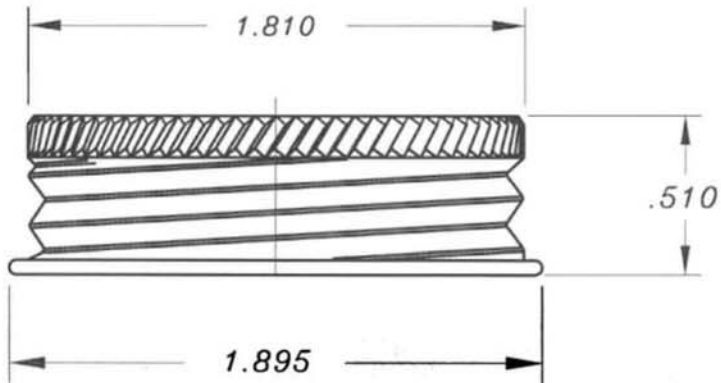


TOLERANCE: $\pm .015''$

(Unless Specified)



PLASTIC
OVERCAP



METAL
INNERCAP

(6) Threads per Inch



Supplied By: **The Cary Company**
Ph: 630-629-6600
www.thecarycompany.com

1-3/4" DELTA CAP CR

DRAWN BY : H.R. APPR. BY : G. Buono

DATE : 04-28-83 DATE : 01-24-97

DWG. No 134-1598 REV. A