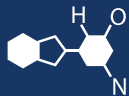


# IF YOU...



MIX IT. FILL IT. PACK IT. SHIP IT.

# WE HAVE A **PRODUCT** FOR YOU

Part #: 30W14N

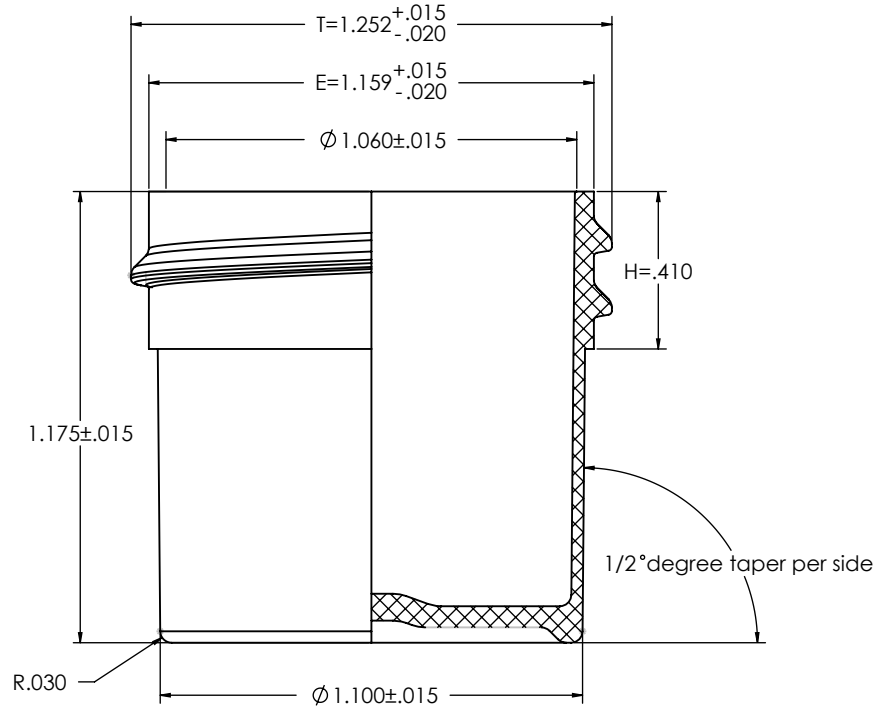
Plastic Straight Sided Jars

1/4 oz. Clarified Natural PP Plastic Jar,  
Straight Sided, 33mm 33-400



The  
**CARY**COMPANY  
Est. 1895

1195 W. Fullerton Ave. | Addison, IL 60101 | T: 630.629.6600 | F: 630.629.3690 |



DECORATION AREA

WRAP: 3.25 inches  
HEIGHT: 0.475 inches  
DRAFT:  $1/2^\circ$  per side

REVISIONS				UNLESS OTHERWISE NOTED DIMENSIONS ARE IN INCHES TOLERANCES ARE:		MATERIAL:	POLYPROPYLENE	PART DESCRIPTION:				
REV.	DATE	DESCRIPTION	BY	DIM.	TOL.	APPROX WEIGHT:	3.2 grams	<p><b>1/4oz 33mm Regular Wall Polypropylene Jar</b></p>				
		NEW		.00	.030	APPROX OVERFLOW:	14 ml					
				.000	.020	THREAD:	"M" STYLE, 6 TPI PITCH					
COMMENTS: MADE IN U.S.A.				DRAWN BY: J.T.		APPROVED BY: C.M.		DATE: 08/31/2021	SCALE: 2:1	DO NOT SCALE DRAWING	REV. <b>A</b>	SIZE <b>A</b>