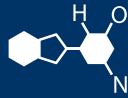


IF YOU...



MIX IT. FILL IT. PACK IT. SHIP IT.

WE HAVE A **PRODUCT** FOR YOU

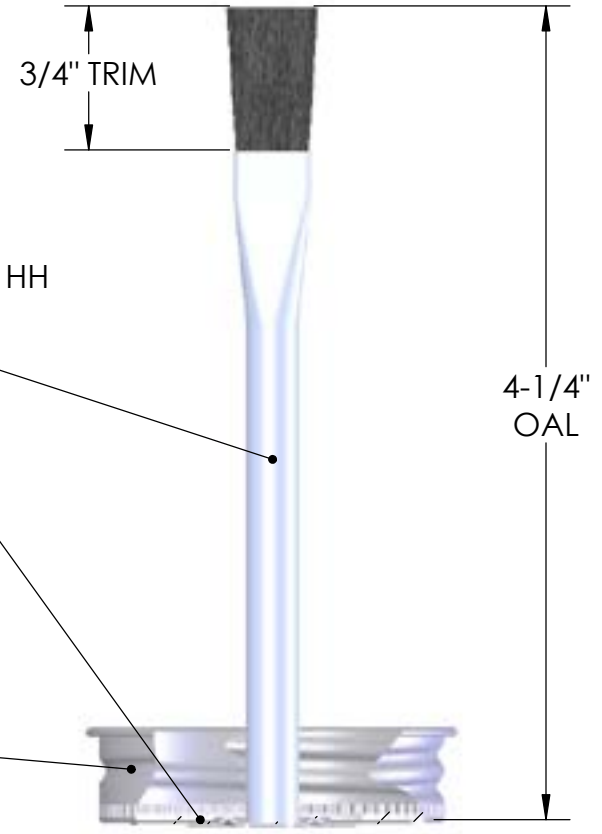
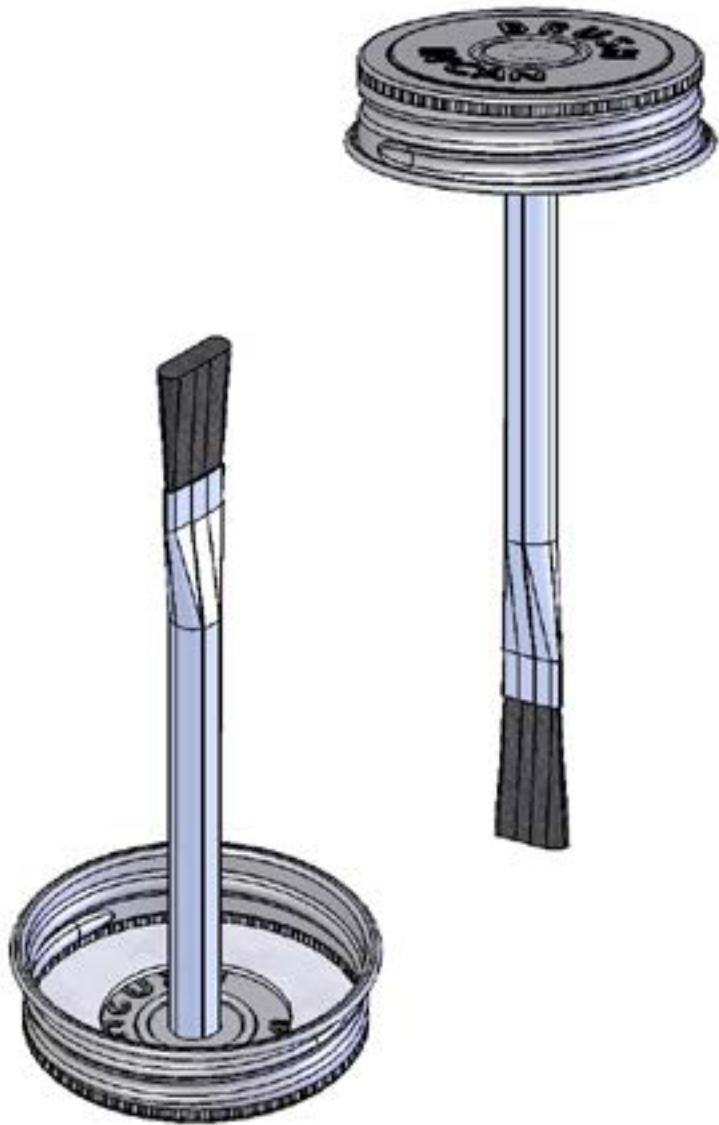
Part # 30W14Y

Aluminum Brush Caps

1-3/4" Delta Brush Cap with 4-1/4" Stem for Use In
16 oz. Utility Can



The
CARYCOMPANY
Est. 1895



#1 x 4-1/4" OAL, 3/4" TR HH
ACID BRUSH
B00124

.047" ±.005" P/E LINER

1-3/4" "BRUSH IN CAN" CAP
MC00110

UNLESS OTHERWISE SPECIFIED:
DIMENSIONS ARE IN INCHES
TOLERANCES:
FRACTIONAL ±1/16"
ANGULAR ±2°
TWO PLACE DECIMAL ±.02
THREE PLACE DECIMAL ±.010

| | NAME | DATE |
|---------|------|------|
| DRAWN | | |
| CHECKED | | |
| | | |
| | | |



TITLE:
**1-3/4" BIC #1 X 4-1/4"
OAL 3/4" TR HH P/E**

SCALE: 1:1
DO NOT SCALE DRAWING
SHEET 1 OF 1

| SIZE | DWG. NO. | REV |
|------|----------|-----|
| | | |

| NO. | REVISION | NAME | DATE |
|-----|----------|------|------|
| | | | |
| | | | |
| | | | |
| | | | |
| | | | |

CUSTOMER APPROVAL:

| | |
|------|------|
| NAME | DATE |
| | |