

IF YOU...



MIX IT. FILL IT. PACK IT. SHIP IT.

WE HAVE A PRODUCT FOR YOU



Part #	30W15T
Neck Width	24mm
Neck Finish	24-410
Cap Liner	Unlined - No Liner
Color	White
Material	PP

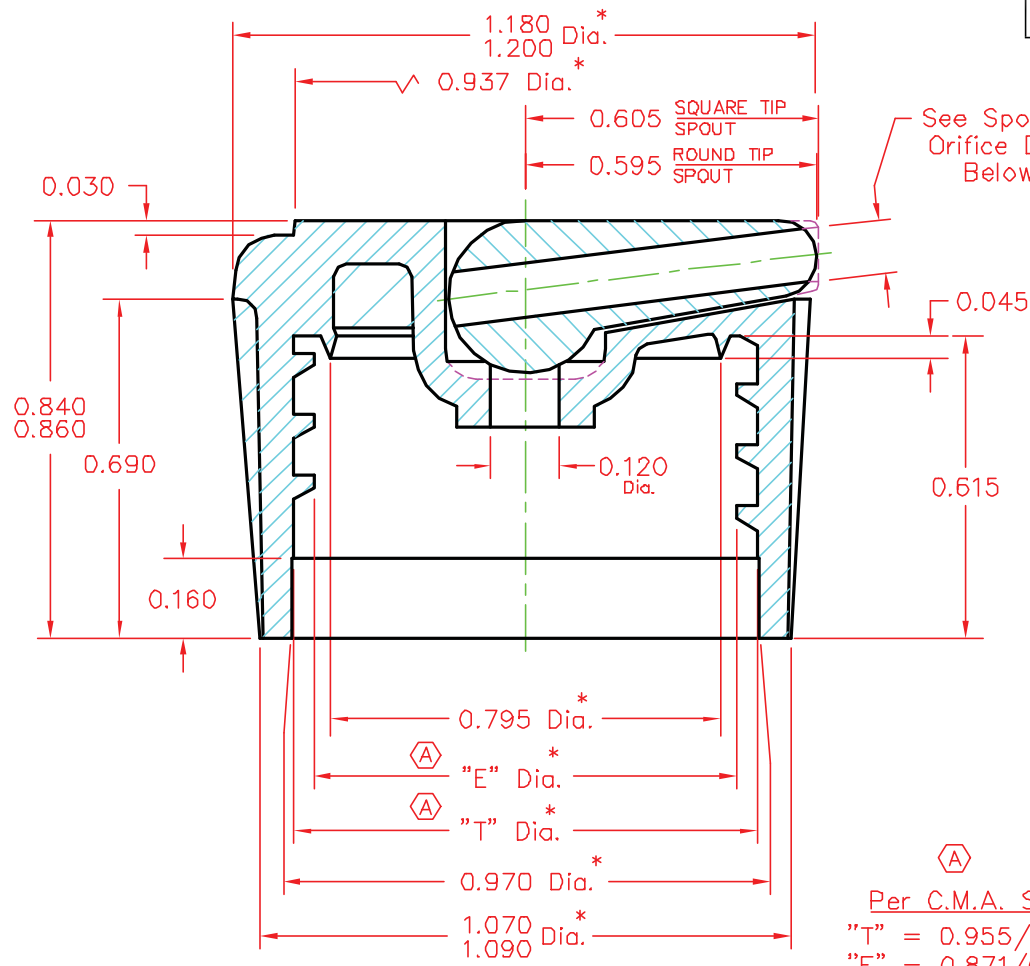


Part & Print No. **PS-146**

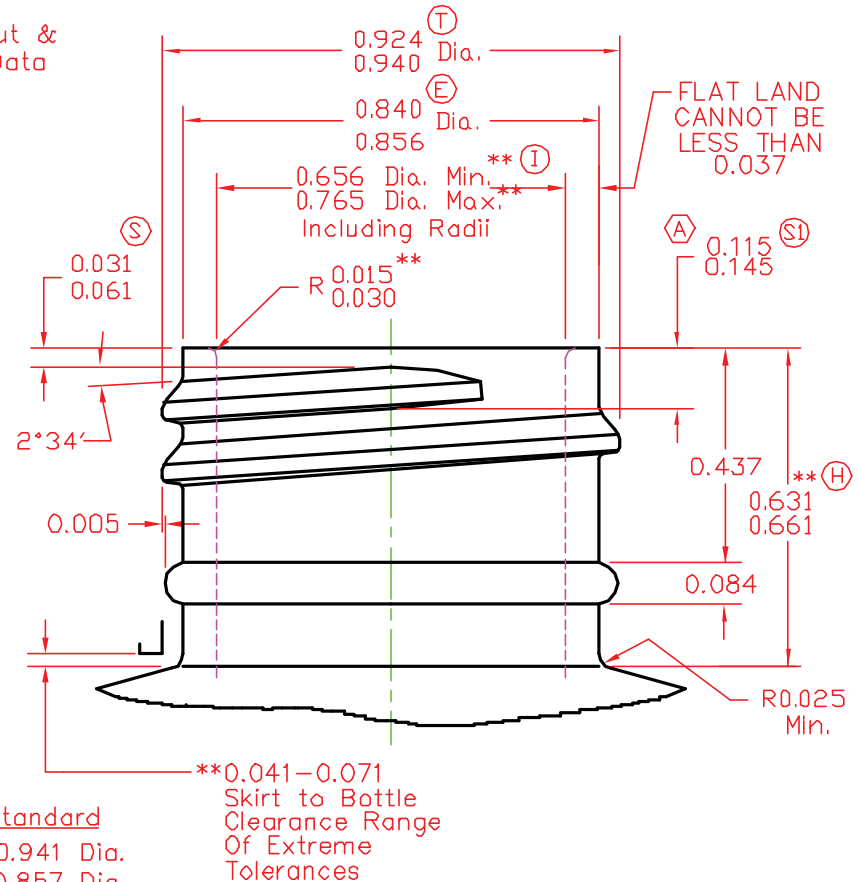
Rev.: **A** Remarks:

Size: **24** Finish: **410** Style: **F** Seal†: **2**
(mm)

CUSTOMER DRAWING



See Spout & Orifice Data Below



FLAT LAND CANNOT BE LESS THAN 0.037

(A) Per C.M.A. Standard
"T" = 0.955/0.941 Dia.
"E" = 0.871/0.857 Dia.
**0.041-0.071 Skirt to Bottle Clearance Range Of Extreme Tolerances

† Seal Type No. 1: Valve Seal (The most efficient provided bottle has proper "I" dimension)
† Seal Type No. 2: Land Seal ("I" dimension of bottle less critical than above)

Dimensions marked * are an average of two measurements taken 90° apart.

GENERAL TOLERANCE NOT SHOWN OTHERWISE: ± .008

- BOTTLE NOTES:**
- 1) Thread: 8 Pitch, Per S.P.I. Standard.
 - 2) Diameters must be concentric within .015" T.I.R.
 - 3) All Dimensions are in inches unless otherwise indicated.

Date	Sym.	Revision Record	Auth.	Dr.
11-1-95	A	Added C.M.A. Standard, New Dwg. Format & Bottle S1	CWS	GG

Supplied By: The Cary Company
Ph: 630-629-6600
www.thecarycompany.com

Product Name and Description: 24mm/410/"F" DISPENSING CLOSURE		Size: 24 (mm)	Finish: 410	Style: F	Seal†: 2
Spouts and Orifices Available: 1mm, 2.5mm, 3mm Dia. Rnd. End Spout; 3mm Dia. Square End Spout					
Application Torque: 12-14 Inch/lbs. Max.	Shipping Info: Pcs./Carton:	Carton Wt. (Lbs.):	Molding Material: L.D. Polyethylene	Dwn.By: GG	
Remarks:	Date: 11-1-95	Part & Print No. PS-146	Rev.: A		