

IF YOU...



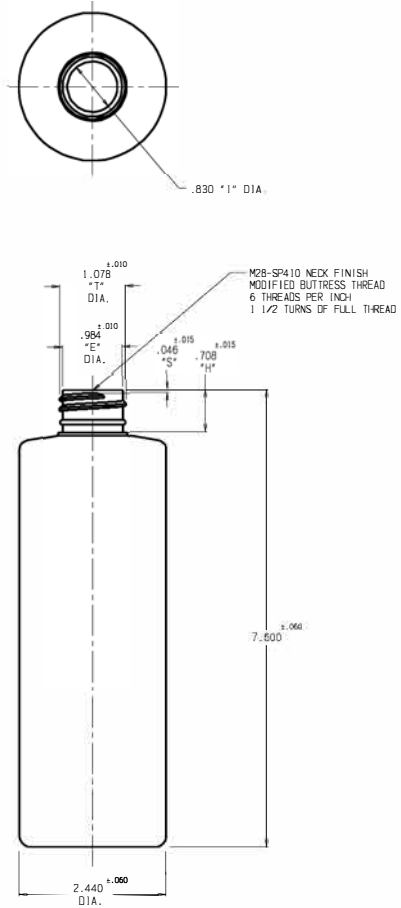
MIX IT. FILL IT. PACK IT. SHIP IT.

WE HAVE A PRODUCT FOR YOU



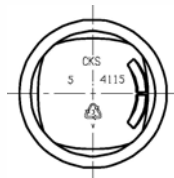
Part #	30W16C
Capacity	16 oz.
Color	Clear
Material	PVC
Dimensions	2.44" Dia. x 7.66"H
Neck Finish	28-410
Neck Width	28mm
BPA Free	Yes
FDA Approved	Yes
Case Pack	178 ea.
Pallet Pack	3,560 ea. (20 Cases)





NOTES:

1. FULL SCALE
2. STANDARD SPI TOLERANCES APPLY
3. MATERIAL - PVC
4. BOTTLE WEIGHT - 36 Gr. ±2
5. OVERFLOW CAPACITY - 503 cc ±11
17.00 FL. OZ. ±0.37



BY	The CARY COMPANY			
DATE	Est. 1895			
REVISIONS	TITLE 16 OZ. CYLINDER			
	FOR			
	RESIN	PVC	MACHINE	
	PLOT DATE	4-9-12	COMP. FILE	8014-S.PRT SHEET OF
	TO BE RUN BY;			
	SHRINK	DIA.	HT	NECK
CHK BY		DATE	DWG. NO. 8014-S	
LTR	DRAWN BY	J.M.J.	DATE	4-9-12
				REV