

IF YOU...



MIX IT. FILL IT. PACK IT. SHIP IT.

WE HAVE A PRODUCT FOR YOU



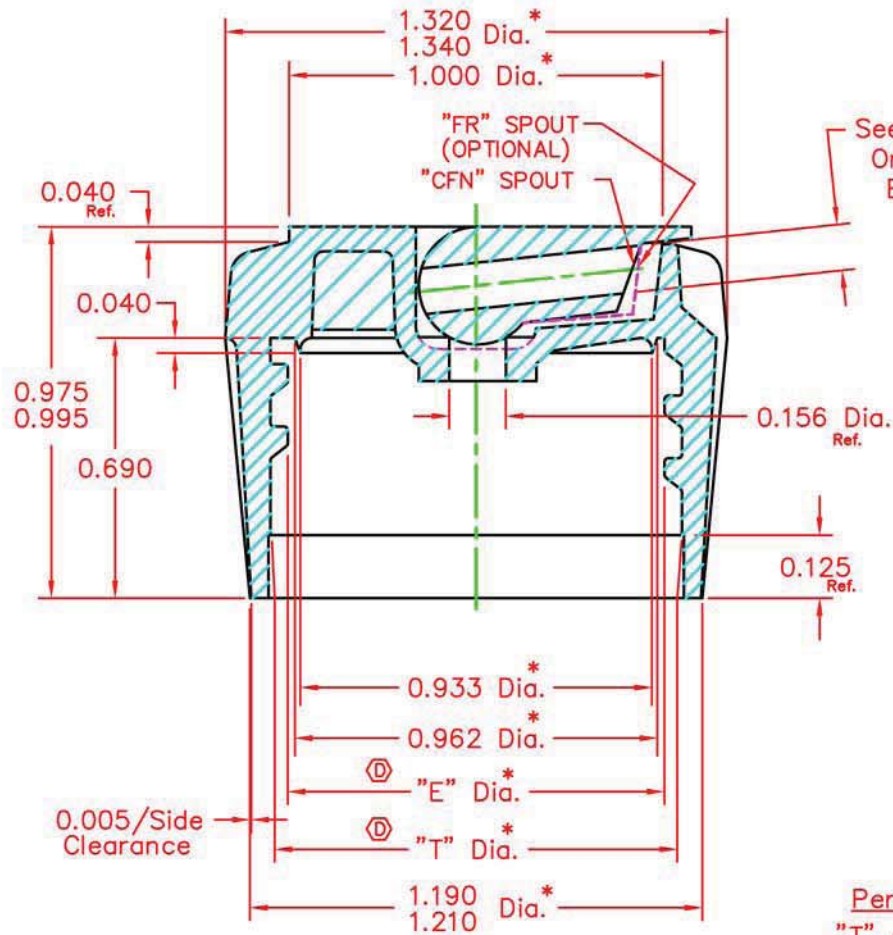
Part #	30W17T
Neck Width	28mm
Neck Finish	28-400
Cap Liner	Unlined - No Liner
Color	White
Material	PP



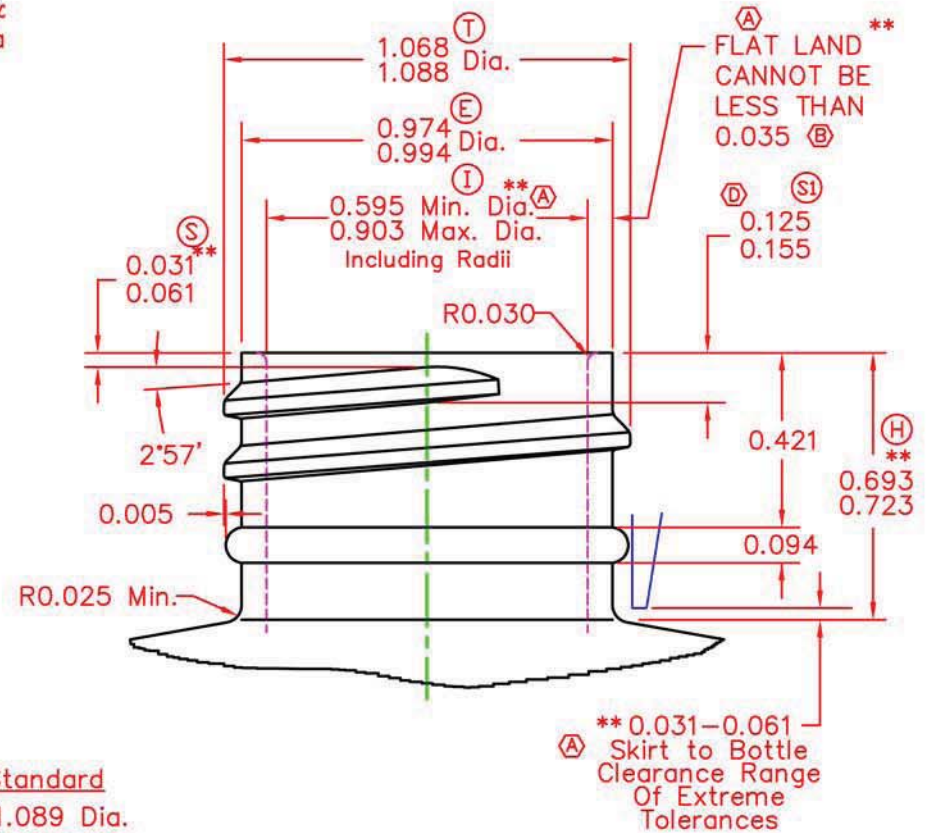
Part & Print No. **30W17T** Rev.: **D** Remarks:

Product Name and Description: **28mm/410/ "F" DISPENSING CLOSURE** Size: **28** Finish: **410** Style: **F** Seal†: **2**

CUSTOMER DRAWING



See Spout & Orifice Data Below



Per C.M.A. Standard
"T" = 1.103/1.089 Dia.
"E" = 1.009/0.995 Dia.

† Seal Type No. 1: Valve Seal (The most efficient provided bottle has proper "I" dimension)
† Seal Type No. 2: Land Seal ("I" dimension of bottle less critical than above)
Dimensions marked * are an average of two measurements taken 90° apart.
GENERAL TOLERANCE NOT SHOWN OTHERWISE: ± .008

- BOTTLE NOTES:**
- 1) Thread: 6 Pitch, Per S.P.I. Standard.
 - 2) Diameters must be concentric within .015" T.I.R.
 - 3) All Dimensions are in inches unless otherwise indicated.

Date	Sym.	Revision Record	Auth.	Dr.
5-3-71	A	REMOVE BOTTLE "I" AND CLEARANCE DATA PER DL 7/9/69	REH	
		LATEST POLYTOP STANDARDS--ADD SPI LETTERS TO BOTTLE DIMENSIONS		
9-14-82	B	0.035 w 0.020; ADDED 0.095 ± .025	ABD	CWS
9-18-84	C	ADDED OPT. FR; CFN SPOUT; .312 DIA.	DL	CWS
10-25-95	D	ADDED C.M.A. STANDARD, NEW DWG. FORMAT & Bottle SI	CWS	GG



Supplied By: **The Cary Company**
Ph: 630-629-6600
www.thecarycompany.com

Product Name and Description:		Size:	Finish:	Style:	Seal†:
28mm/410/ "F" DISPENSING CLOSURE		(mm) 28	410	F	2
Spouts and Orifices Available: 1mm, 2mm, 2.5mm, 3mm Dia.; Recessed, hidden tip					
Application Torque: 10-14 Inch/lbs. Max.	Shipping Info: Pcs./Carton:	Carton Wt. (Lbs.)	Molding Material: L.D. Polyethylene	Dwn.By: GG	
Remarks:	Date: 10-25-95	Part & Print No. 30W17T		Rev.: D	