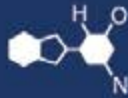


# IF YOU...



MIX IT. FILL IT. PACK IT. SHIP IT.

# WE HAVE A PRODUCT FOR YOU

Part #: 30W188

---

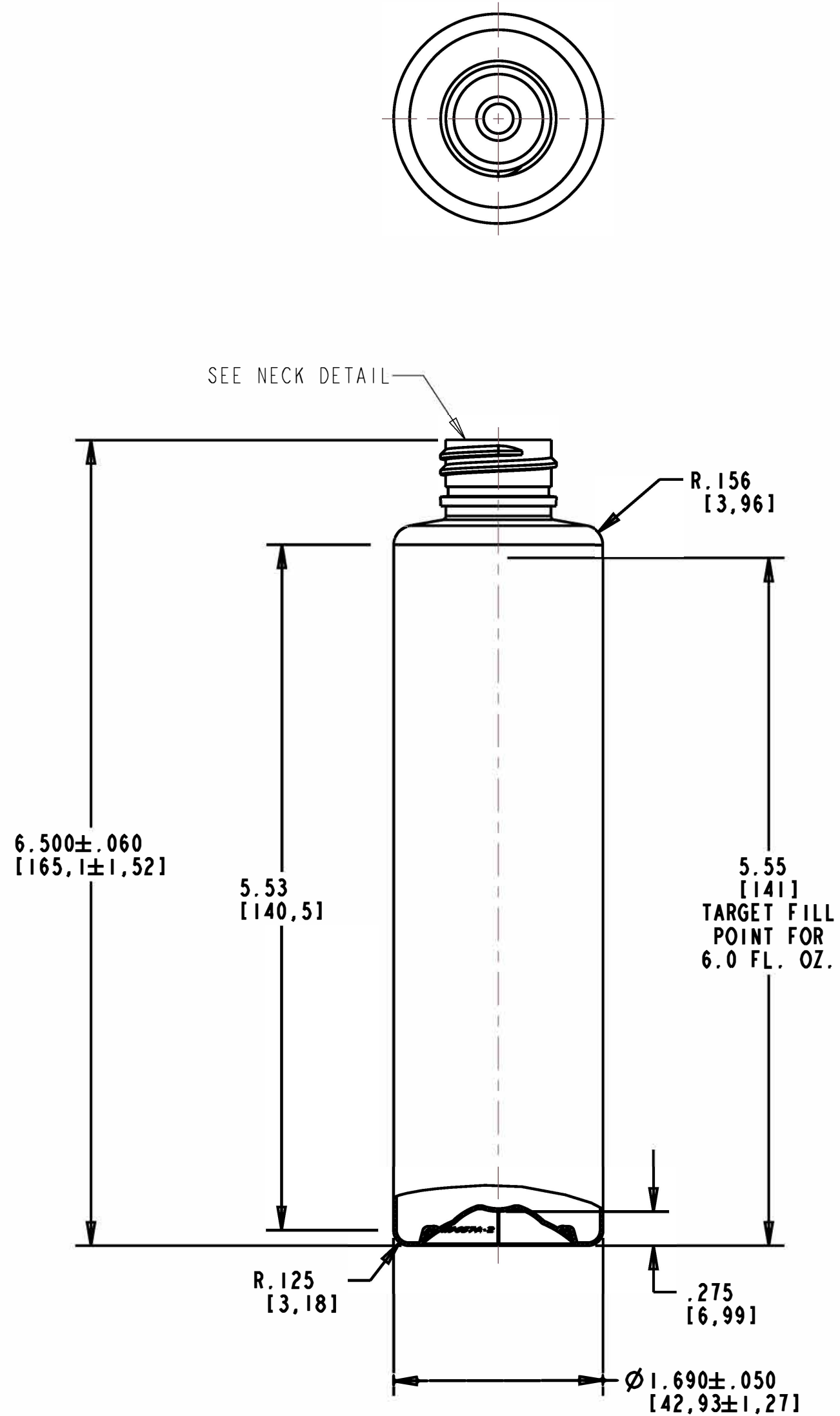
---



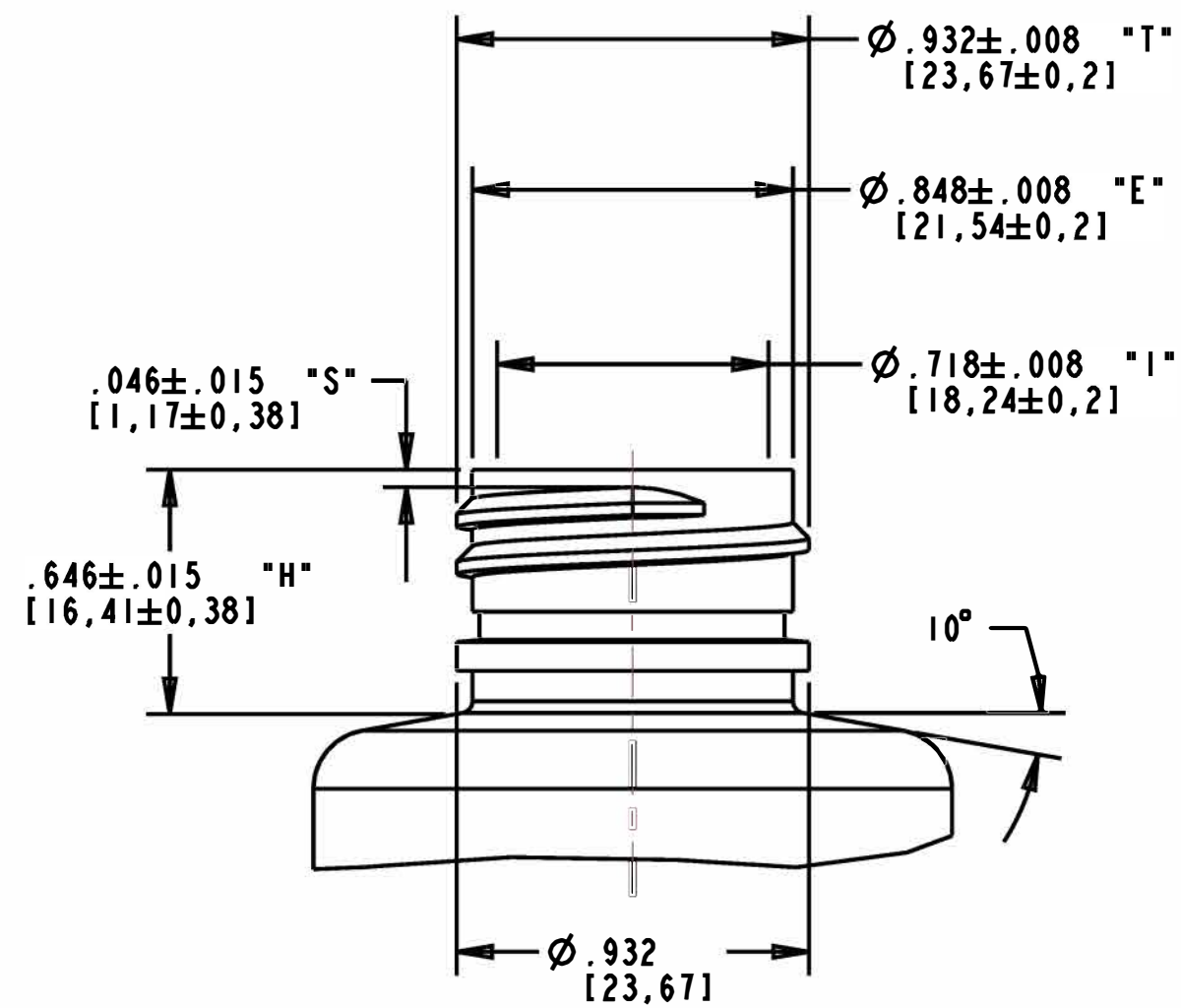
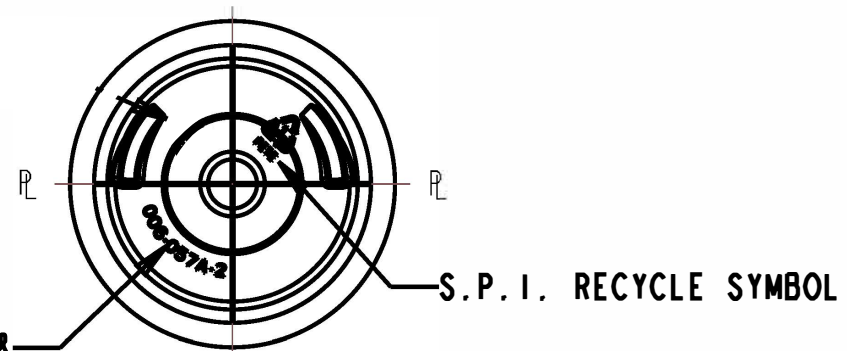
---

The  
**CARY**COMPANY  
Est. 1895

1195 W. Fullerton Ave. | Addison, IL 60101 | T: 630.629.6600 | F: 630.629.3690 |



MOLD NUMBER & CAVITY NUMBER  
006-057A-2

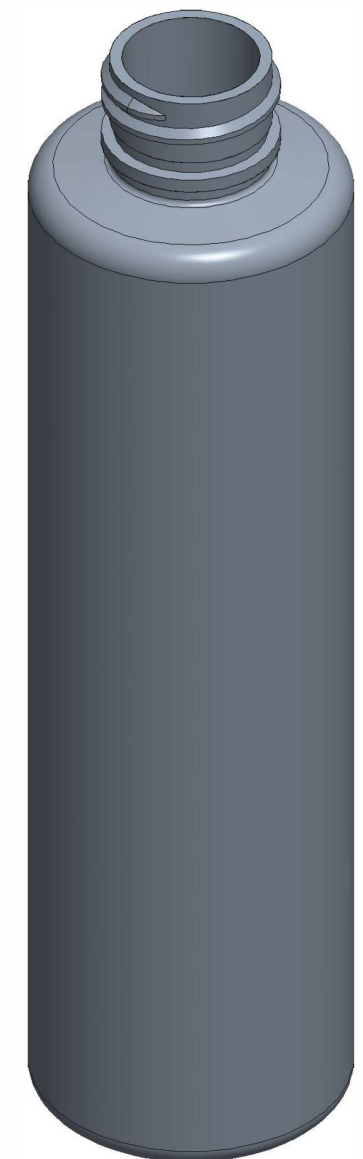


**NECK DETAIL**

SCALE: 2:1

**FINISH SPECIFICATIONS:**

1. FINISH: M24-410 WITH RATCHETS
2. NO. OF TURNS: 1-1/2 TURN
3. THREADS PER INCH: 8



**NOTES:**

1. CRITICAL DIMENSIONS ARE SHOWN WITH TOLERANCES. CRITICAL DIMENSION TO BE USED FOR QC PURPOSES.
2. ALL OTHER DIMENSIONS TO BE USED FOR REFERENCE ONLY.

				<b>The CARY COMPANY</b> Est. 1895	
				TITLE: 6 oz SLIM CYLINDER	
		TOLERANCES: UNLESS OTHERWISE SPECIFIED	DRAWN BY: JAZ	NECK: M24-410	WEIGHT (g): 21.0 ± 0.0 g
		DECIMALS .XX±	DATE: Oct-08-2007	MIN WALL (in): .008	OVERFLOW (cc): 202.0 ± 6.0 cc
		.XXX±	SCALE: 1.000	CUSTOMER: STOCK	3D FILE No: 30A083
		.XXXX±	SHEET: 1 of 1	MATERIAL: PET	DRAWING No: 30A083
		FRACTIONS ±	NPDP No: 007		REV: A
		ANGLES ±			
REV	ECR	DESCRIPTION	BY	DATE	
A		THIS DRAWING SUPERSEDES P0188CYSS024B, "I" WAS ±.001 & UPDATED DRAWING	JAZ	Feb-07-20	