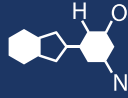


IF YOU...



MIX IT. FILL IT. PACK IT. SHIP IT.

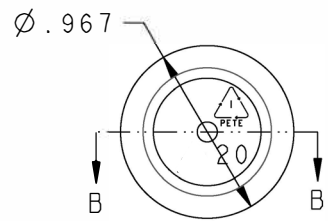
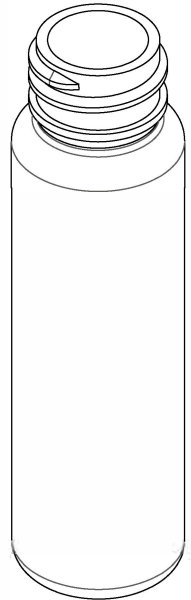
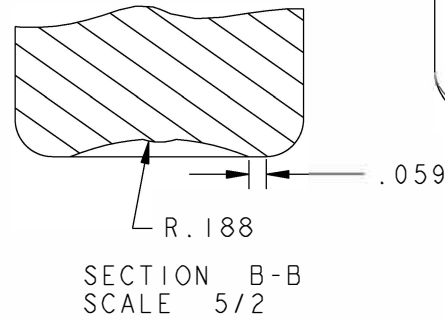
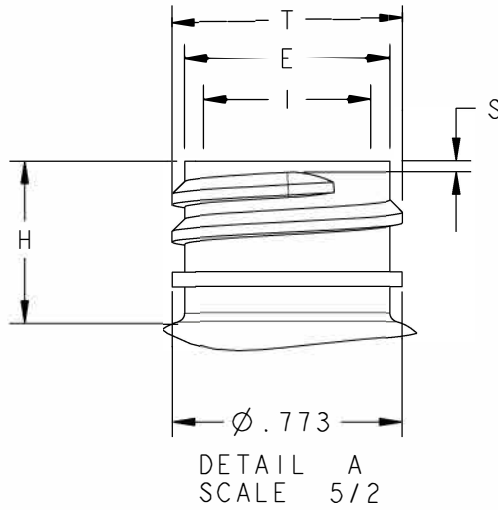
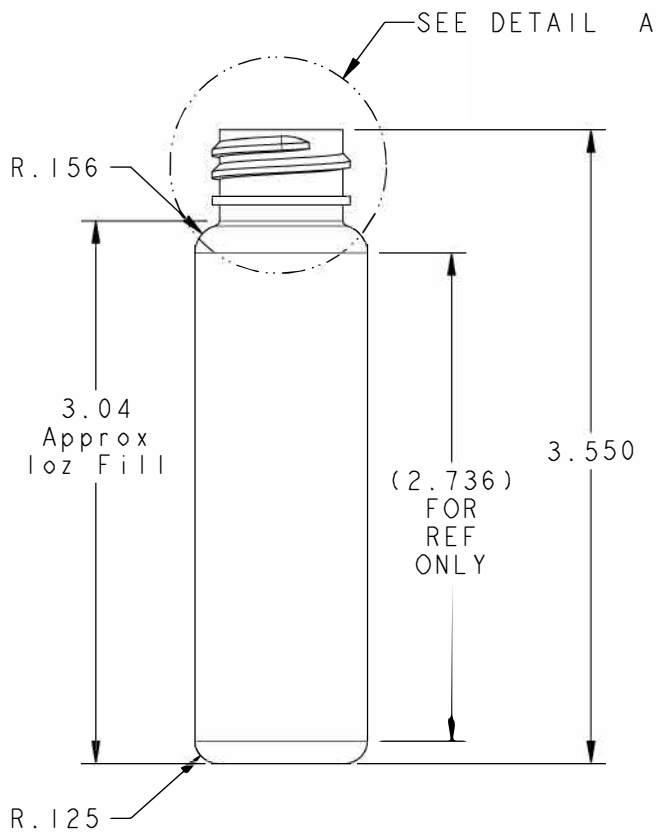
WE HAVE A **PRODUCT** FOR YOU

Part #: 30W1CA



The
CARYCOMPANY
Est. 1895

1195 W. Fullerton Ave. | Addison, IL 60101 | T: 630.629.6600 | F: 630.629.3690 |



NOTE:
CLOSURES WITH MORE THAN 1 1/2 TURNS OF THREAD MAY INTERFERE WITH BEAD, WHICH ALSO MAY RESULT IN AN IMPROPER SEAL AT LAND AREA.

Neck Finish: M20SP410		DISCLAIMER: The cary company assumes no responsibility for form, fit and function of closures, accessories, and/or shelf life and compatibility of intended contents with this			
All measurements are in inches, [Metric]	Min Thk	Color	Weight	Std. Pack	Revisions
	.012	All Colors	8.2 Gms ±1	990, Bulk	A Add 8.2g, 5/20/05.sct
	.015	All Colors Heavy Gram	9.5 Gms ±1	990, Bulk	B Add note, 5/16/11.sct
Neck Dimensions:				Tolerance: Where not shown Decimal ±0.05 [1,27] Angular ±1°	
T = .775±.008				Material: PET	
E = .691±.008				1oz LIQUID ROUND, PET, 20-410 CT	
H = .554±.015				Approved By: SJ	
I = .404 MIN				Drawing NO: 1LR1SL20M410	
S = .037±.015		Overflow Capacity: 32.5 ml ± 2		DwgRev: B	

Drawn By: SCT Date: 11-05-02