

IF YOU...



MIX IT. FILL IT. PACK IT. SHIP IT.

WE HAVE A **PRODUCT** FOR YOU

Part #: 30W1CS

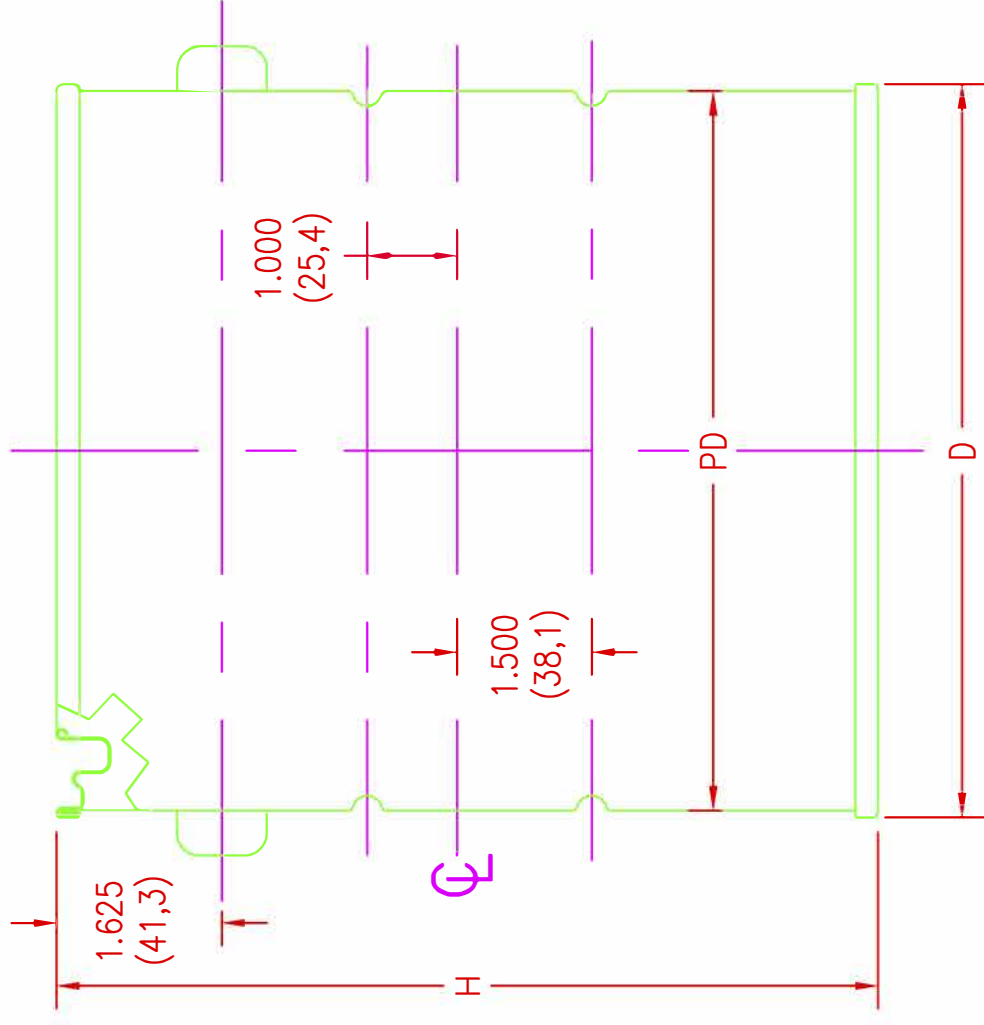
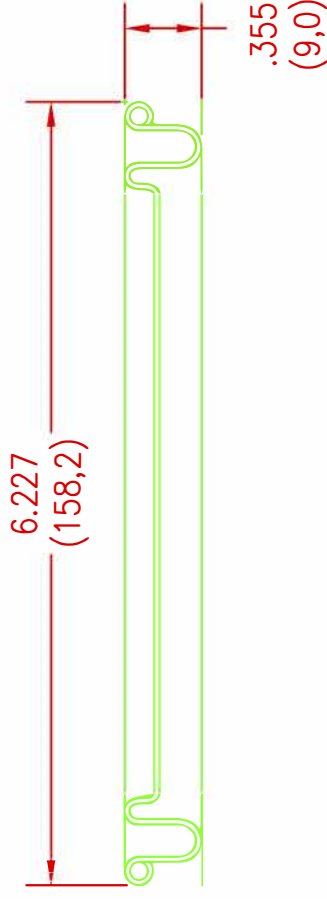
Metal Paint Cans

1 Gallon Metal Paint Can w/Ears



The
CARYCOMPANY
Est. 1895

1195 W. Fullerton Ave. | Addison, IL 60101 | T: 630.629.6600 | F: 630.629.3690 |



NOTE: BEADS OPTIONAL

CAN	D	PD	H	REVISION DESCRIPTION
610x400	6.600	6.500	4.000	
610x404	6.600	6.500	4.200	
610x708 (168,3x190,5)	6.600 (167,6)	6.500 (165,1)	7.490 (190,2)	
610x710.5	6.600	6.500	7.656	
610x712.5	6.600	6.500	7.750	

SCALE	REV. BY	NO.	DATE
NONE			
DATE			

DRAWN BY: JDD	CHECKED BY: WTB	APPROVED BY: LJP	LOCATION	SUPERCEDES	MATERIAL	PRINT NO. PD610-1-001	REV. C
------------------	--------------------	---------------------	----------	------------	----------	--------------------------	-----------

The
CARYCOMPANY
Est. 1895

PRODUCT DRAWING
WELDED SIDE SEAM
610 DIAMETER PAINT CAN W/EARS