

# IF YOU...



MIX IT. FILL IT. PACK IT. SHIP IT.

# WE HAVE A **PRODUCT** FOR YOU

Part #30W1LP

Open Head Steel Pails

1 Gallon Black Steel Pail & Cover (24 Gauge), UN Rated,  
Pigmented Phenolic Lining (S3 Series)



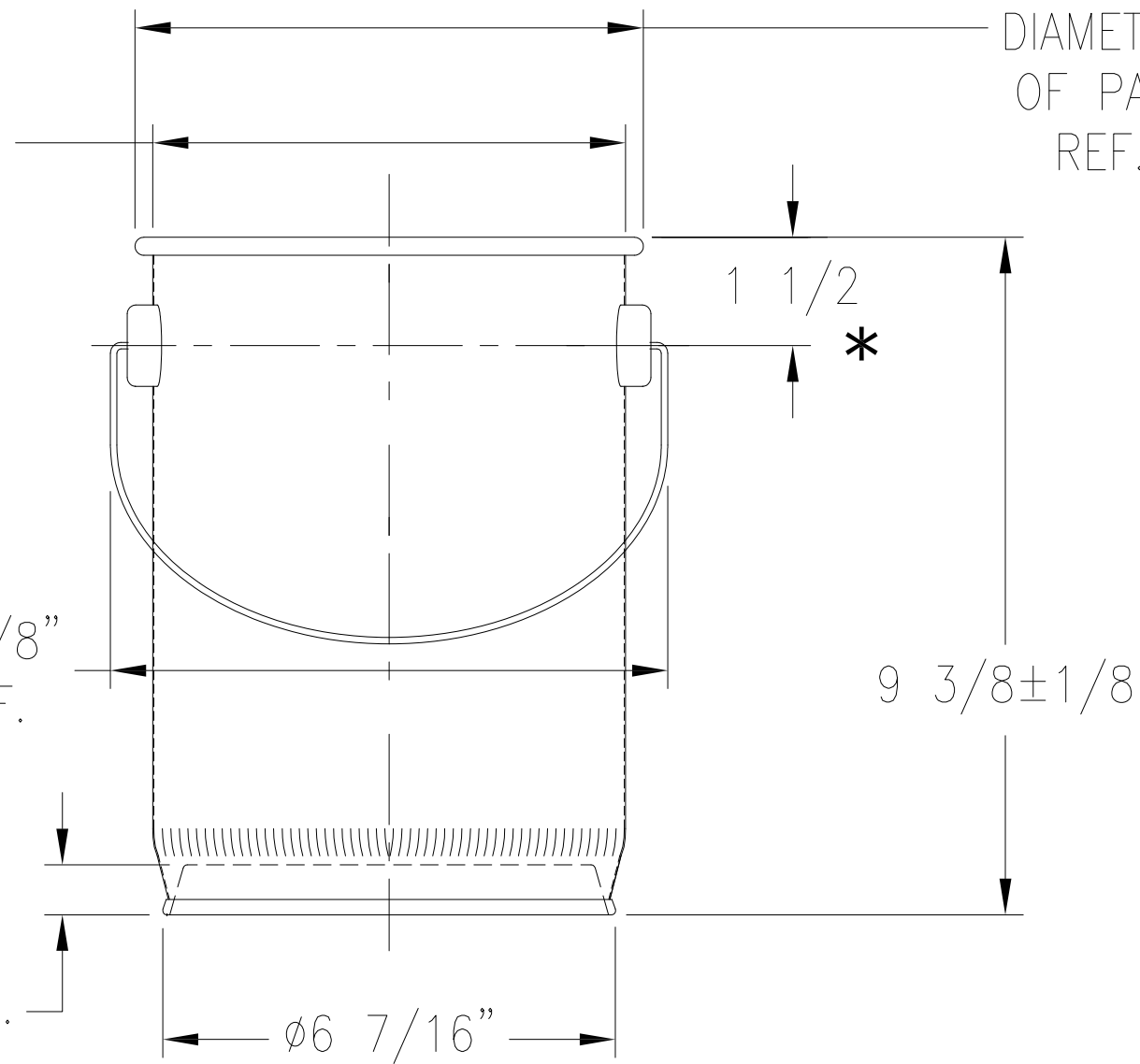
The  
**CARY**COMPANY  
Est. 1895

\*6-5/8"  
INSIDE  
DIAMETER  
OF PAIL  
REF.

7 1/8"  
OUTSIDE  
DIAMETER  
OF PAIL  
REF.

7 7/8"  
REF.

11/16" REF.



ROUND EDGES = 1/64"R U.O.S.  
TOLERANCES U.O.S.

The  
**CARY**COMPANY  
Est. 1895

DRAWN BY:	SCALE	REV. BY	NO.	DATE	REVISION DESCRIPTION
J.Zavala					
CHECKED BY:	DATE				
.	10-12-15				
APPROVED BY:					

ANGLES	± 1/4"
HUNDREDTHS	±0.01
THOUSANDTHS	±0.001
FINISH	63/

PRODUCT DRAWING - 6.5 DIAMETER  
1 TALL GALLON - OPEN HEAD  
STRAIGHT SIDED PAIL

SUPERCEDES	MATERIAL	PRINT NO.	REV.
6178		PD100-5-010	