

# IF YOU...



MIX IT. FILL IT. PACK IT. SHIP IT.

# WE HAVE A PRODUCT FOR YOU

Part #: 30W1PU

---

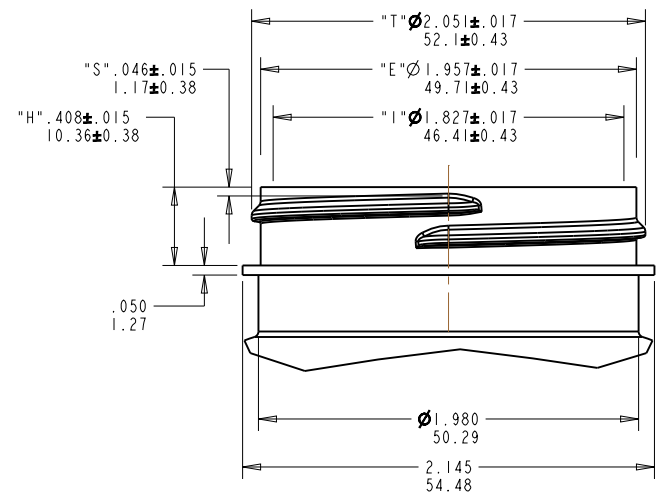
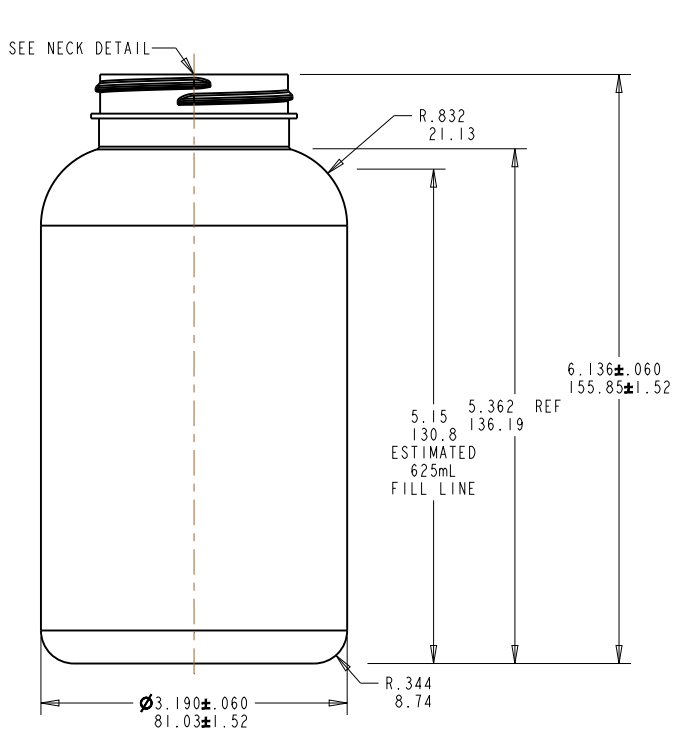
---



---

The  
**CARY**COMPANY  
Est. 1895

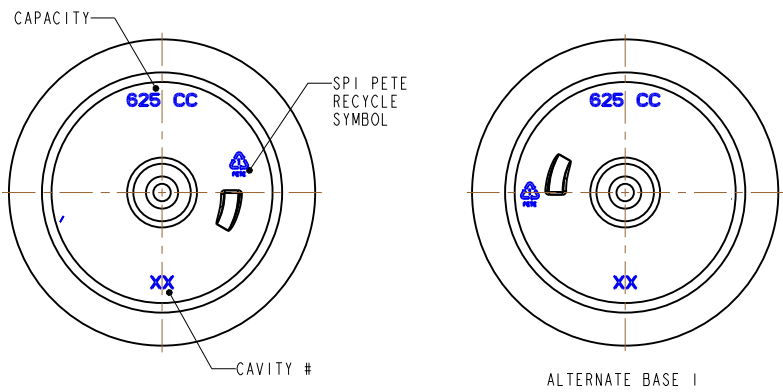
1195 W. Fullerton Ave. | Addison, IL 60101 | T: 630.629.6600 | F: 630.629.3690 |



**NECK DETAIL:**  
SCALE 2:1

**FINISH SPECIFICATIONS:**

1. FINISH: M53SP400
2. NO. OF TURNS: 1 FULL TURN
3. THREADS PER INCH: 6
4. THREAD START: 90° FROM P.L. (AS SHOWN)



**NOTES:**

1. CRITICAL DIMENSIONS ARE SHOWN WITH TOLERANCES. CRITICAL DIMENSION TO BE USED FOR QC PURPOSES.
2. ALL OTHER DIMENSIONS TO BE USED FOR REFERENCE ONLY.

| 02 | 65.0 ± 3.0 | 665 ± 13      | .015          |       |
|----|------------|---------------|---------------|-------|
| 01 | 54.0 ± 3.0 | 673 ± 13      | .015          |       |
| No | WEIGHT (g) | OVERFLOW (cc) | MIN WALL (in) | NOTES |

The **CARY COMPANY**  
Est. 1895

| TITLE                                 |                 | 625 cc Straight Sided Packer                           |                          |           |  |
|---------------------------------------|-----------------|--|--------------------------|-----------|--|
| TOLERANCES UNLESS OTHERWISE SPECIFIED | DRAWN BY: RAB   | NECK: M53SP400   | WEIGHT (g): SEE TABLE    |           |  |
| DECIMALS .XX±                         | DATE: Mar-27-20 | MIN WALL (in): SEE TABLE                               | OVERFLOW (cc): SEE TABLE |           |  |
| .XXX±                                 | SCALE: 1:1      | CUSTOMER: STOCK  | 3D FILE No: 10A1125      |           |  |
| .XXX±                                 | SHEET: 1 of 1   | MATERIAL: PET  | DRAWING No: 10A1125      | REV: A    |  |
| FRACTIONS ±                           | SEE NOTE 1      | NPD No: 14725  |                          |           |  |
| ANGLES ±                              |                 |  |                          |           |  |
| REV                                   | ECR             | DESCRIPTION  | BY                       | DATE      |  |
| A                                     | 229             | INITIAL RELEASE SUPERSEDES DWG # 625PS16X13X400 Rev E. | RAB                      | Mar-27-20 |  |