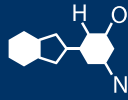


IF YOU...



MIX IT. FILL IT. PACK IT. SHIP IT.

WE HAVE A **PRODUCT** FOR YOU

Part #30W1QF

Metal F-Style Oblong Cans

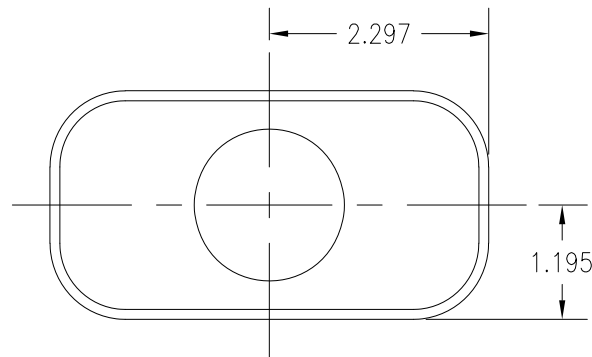
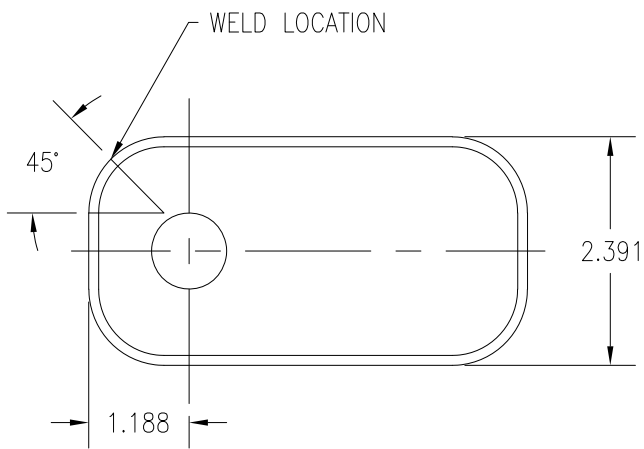
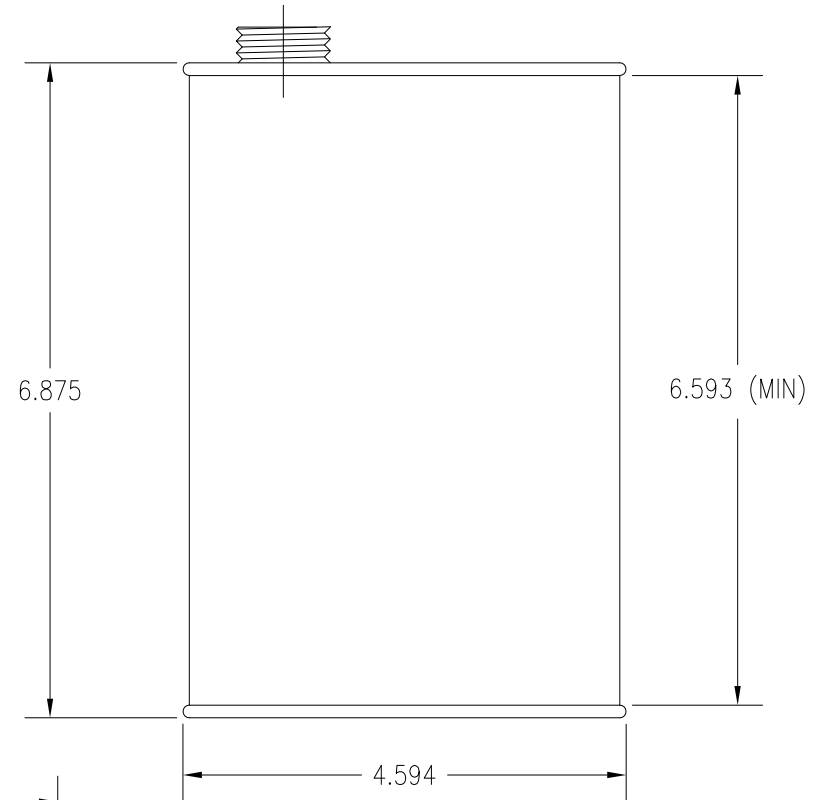
1 Quart (32 oz.) F-Style Can with 1-1/4" Alpha Opening



The
CARYCOMPANY
Est. 1895

1195 W. Fullerton Ave. | Addison, IL 60101 | T: 630.629.6600 | F: 630.629.3690 | TheCaryCompany.com

NOZZLE SIZE & TYPE	CENTER OPENING	END OPENING
RIEKE JR.	✓	
.954" INWARD CURL	✓	
.954" OUTWARD CURL	✓	
1.000" DELTA		✓
1.000" INTERNATIONAL		✓
1 1/8" BETA		✓
1 1/4" ALPHA	✓	✓
1 1/4" INTERNATIONAL		✓
1 3/4" ALPHA		✓
1 3/4" DELTA		✓
1 3/4" INTERNATIONAL		✓
32mmREL		✓



The
CARY COMPANY
Est. 1895

PRODUCT DRAWING
QUART "F" STYLE
206 X 409 X 614

APPROVED BY: WTB	SCALE NONE	REV. BY CMS	NO. A	DATE 9-6-2000	REVISION DESCRIPTION ECR 43-00	SUPERCEDES BSD-B-2083	MATERIAL TINPLATE	PRINT NO. PD206-2-001	REV. C
---------------------	---------------	----------------	----------	------------------	-----------------------------------	--------------------------	----------------------	--------------------------	-----------

DRAWN BY:	SCALE	REV. BY	NO.	DATE	REVISION DESCRIPTION
WTB	NONE	CMS	A	9-6-2000	ECR 43-00
CHECKED BY:	DATE	J.W	B	9-13-2016	REVISED DIMENSIONS
WTB	1-07-99	J.Z	C	11-28-2016	REPLACED 32mm METRIC DIN WITH 32mmREL
APPROVED BY:					
WTB					