

# IF YOU...



MIX IT. FILL IT. PACK IT. SHIP IT.

## WE HAVE A **PRODUCT** FOR YOU

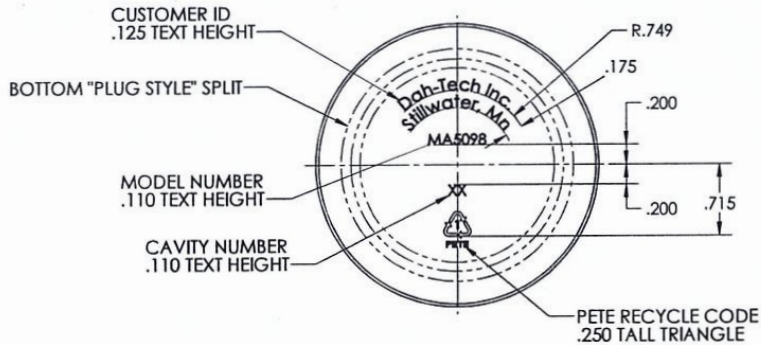
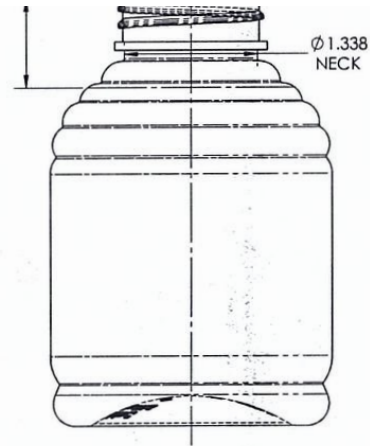
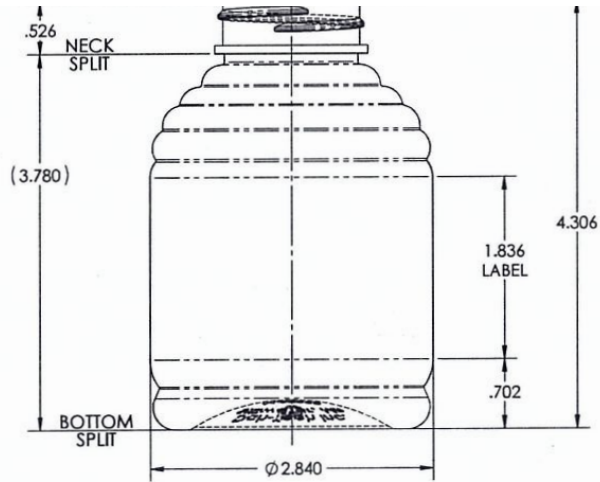
Part #30W1XH

Plastic Honey Containers

10 oz. (1 lb.) Natural HDPE Plastic Skop Honey Bottle,  
38mm 38-400



The  
**CARY**COMPANY  
Est. 1895



ALL BOTTOM ENGRAVING RAISED .006 - .008

- Notes:**  
 1) Tolerances Unless Specified:  
 Vertical --  $\pm .050$   
 Horizontal --  $\pm .060$   
 Volumetric --  $\pm .030$  oz  
 2) Bottles to be Checked Aged with 20° C water

PROPRIETARY AND CONFIDENTIAL THE INFORMATION CONTAINED IN THIS DRAWING IS THE SOLE PROPERTY OF MID-AMERICA MACHINING, INC. ANY REPRODUCTION IN PART OR AS A WHOLE WITHOUT THE WRITTEN PERMISSION OF MID-AMERICA MACHINING, INC. IS PROHIBITED.	Drawn By: KDG Checked: MJS Customer: Dahl Tech	Date: 05JAN12 Date: 05JAN12 Job#: 115617	Container Data: Weight 21 grams Fill Level Capacity 1 lb Honey Overflow Capacity 11.3 fl oz water	Description: Product Drawing 1.0 Lbs Honey
	Reference Materials: MA-P-1665	Material: PETE Avg. Wall Thickness	Size: C Scale: 1:1	Drawing Number: MA5098-2 REV ~ SHEET 1 OF 1