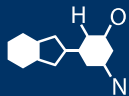


IF YOU...

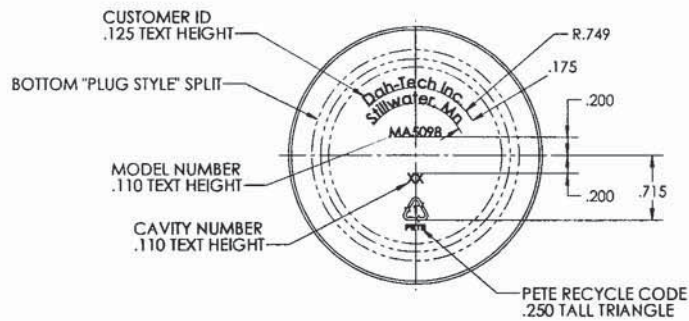
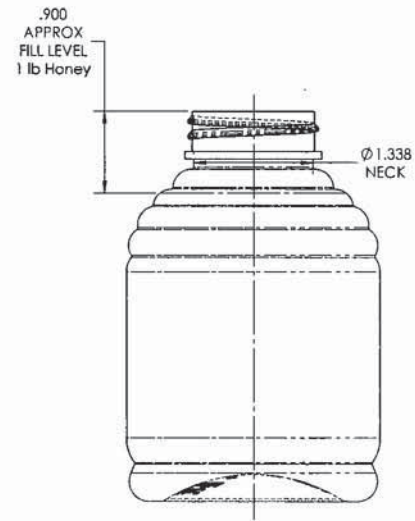
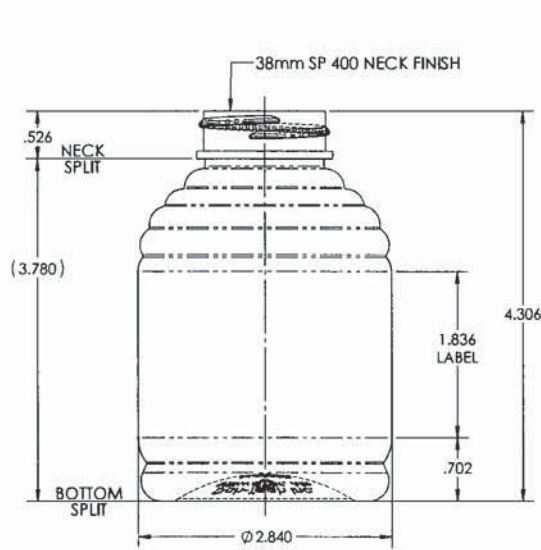


MIX IT. FILL IT. PACK IT. SHIP IT.

WE HAVE A PRODUCT FOR YOU



Part #	30W1XP
Capacity	10 oz.
Color	Clear
Material	PET
Dimensions	2.840" Dia. x 4.306"H
Label Panel Dimensions	1.836"H
Neck Finish	38-400
Neck Width	38mm
BPA Free	Yes
FDA Approved	Yes
Case Pack	420 ea.
Pallet Pack	4,200 ea. (10 Cases)
Note	10 fl. oz. (1 lb. / 16 oz. Honey Weight)



ALL BOTTOM ENGRAVING RAISED .006 - .008

- Notes:
 1) Tolerances Unless Specified:
 Vertical -- ±.050
 Horizontal -- ±.060
 Volumetric -- ±.030 oz
 2) Bottles to be Checked Aged with 20° C water

THE CARY COMPANY
 PH 630-629-6600 - FX 630-629-3690
 1195 W. FULLERTON AVE. - ADDISON, IL 60101
 WWW.THECARYCOMPANY.COM

PROPRIETARY AND CONFIDENTIAL <small>THE INFORMATION CONTAINED IN THIS DRAWING IS THE SOLE PROPERTY OF MID-AMERICA MACHINING INC. ANY REPRODUCTION IN PART OR AS A WHOLE WITHOUT THE WRITTEN PERMISSION OF MID-AMERICA MACHINING INC IS PROHIBITED.</small>	Drawn By: KDG	Date: 05JAN12	Container Data:		Description: Product Drawing 1.0 Lbs Honey
	Checked: MJS	Date: 05JAN12	Weight	21 grams	
	Customer: Dahl Tech	Job#: 15617	Fill Level Capacity	1 lb Honey	
	Reference Materials:		Overflow Capacity	11.3 fl oz water	
	MA-P-1665		Material	PETE	Size: C Scale: 1:1
			Avg. Wall Thickness		Drawing Number: MA5098-2 REV: 1 SHEET 1 OF 1