

IF YOU...



MIX IT. FILL IT. PACK IT. SHIP IT.

WE HAVE A PRODUCT FOR YOU

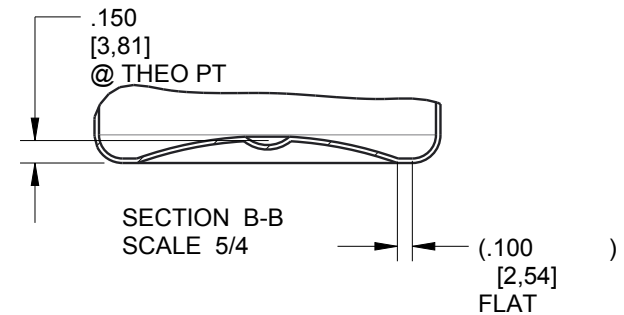
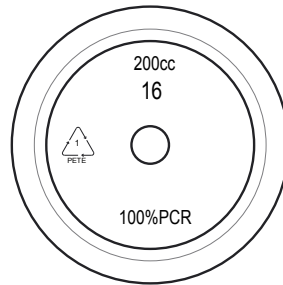
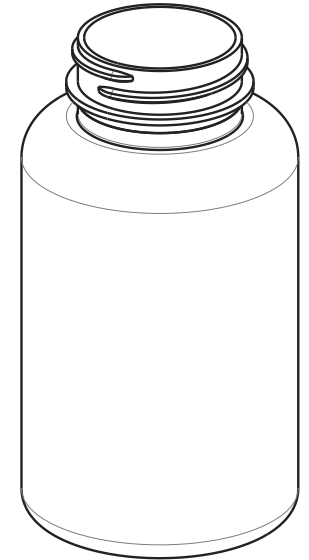
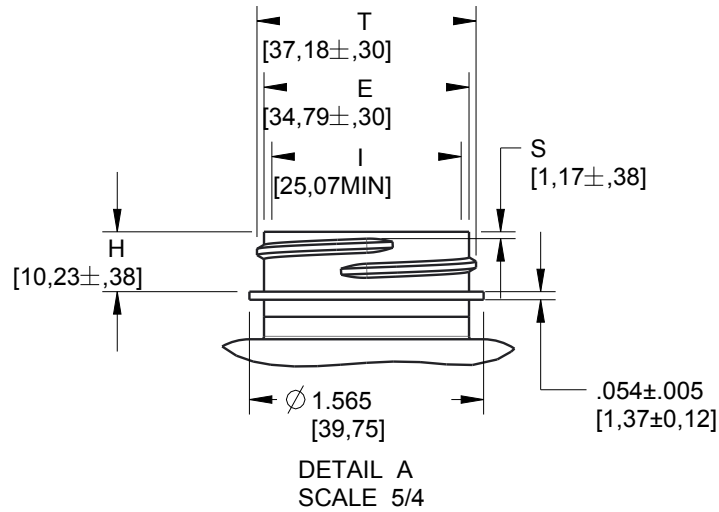
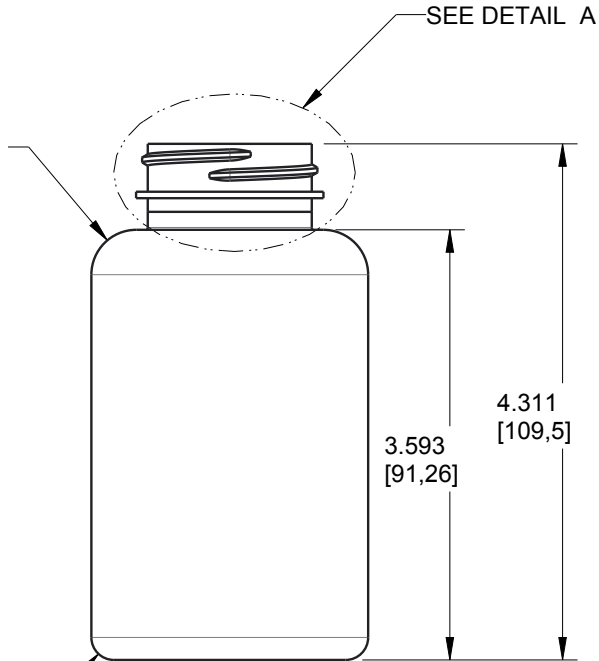
Part #: 30W202



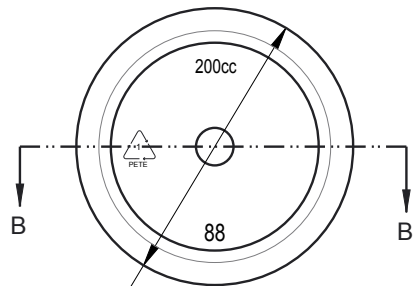
The
CARYCOMPANY
Est. 1895

1195 W. Fullerton Ave. | Addison, IL 60101 | T: 630.629.6600 | F: 630.629.3690 |

R.375
[9,53]



R.188
[4,78]



Ø 2.312±.060
[58,72±1,52]

ALT BOTTOM PLUG CONFIG

Neck Finish: L38SP400								
Special Instructions:		Color	Weight	Std. Pack	Revisions		The CARY COMPANY Est. 1895	
	.012[.30]	All Colors	24 Gms± 3	335, Stack	F	10ah was 4.281.01-24-07.sct	Scale: 1/1 Drawn By: SCT Date: 06/25-08	
	.014[.35]	All Colors	26 Gms± 3	310, Bulk	G	Add Metric 5/3/10.sct		
					H	Add 26g 6/7/10.sct		
					J	Add Alt Config 11/4/10.sct		
Neck Finish:					K	Wt was +1.9/17/13.sct	DwgRev	
Neck Dimensions:		Tolerance:		Where not shown Decimal ±0.050 Angular ±1°		200cc, PACKER, STRAIGHT, 38-400 CT, PET		K
T = 1.464±.012 E = 1.370±.012 H = .403±.015 I = .987 MIN S = .046±.015		Material: Polyethylene Terephthalate		Approved By: SJ		Drawing NO: 200S38PET 200PS1XX38L400		
Overflow Capacity:		241 ml ± 7						