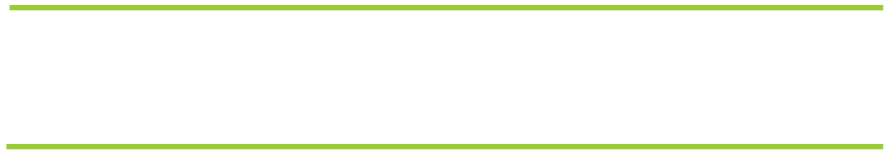


# IF YOU...



MIX IT. FILL IT. PACK IT. SHIP IT.

# WE HAVE A **PRODUCT** FOR YOU



Part #	30W20C
Neck Width	20mm
Neck Finish	20-410
Color	White
Material	PP



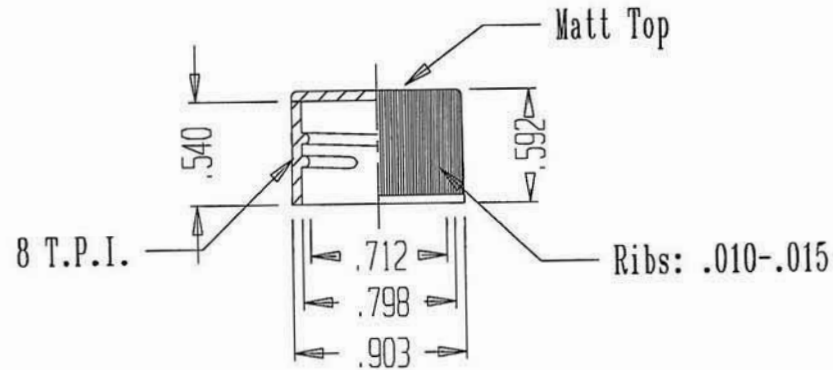
REVISIONS

REV.	DATE	APPROVAL	DESCRIPTION



Supplied By: **The Cary Company**  
 Ph: 630-629-6600  
 www.thecarycompany.com

**APPROVED**  
 JAN 15 2009  
*Ronald Winters*  
 Quality Assurance



"T"	"E"	"H"	"A"	"B"
.798	.712	.540	.903	.592
MATERIAL: POLYPROPYLENE				
WEIGHT: 1.7 GRAMS "AVERAGE"				

"RL" 20MM-410 CAP		
TOLERANCE: +/- .010	DRAWN BY: G.T.	
SCALE: FULL	DATE: 1-15-09	DRAWING NO. 20-410