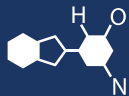


IF YOU...



MIX IT. FILL IT. PACK IT. SHIP IT.

WE HAVE A PRODUCT FOR YOU

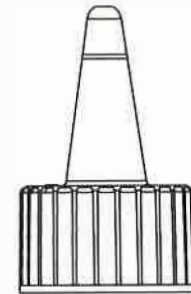
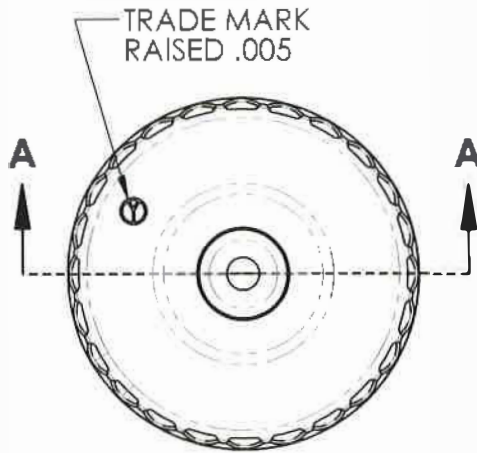
Part #: 30W20Y



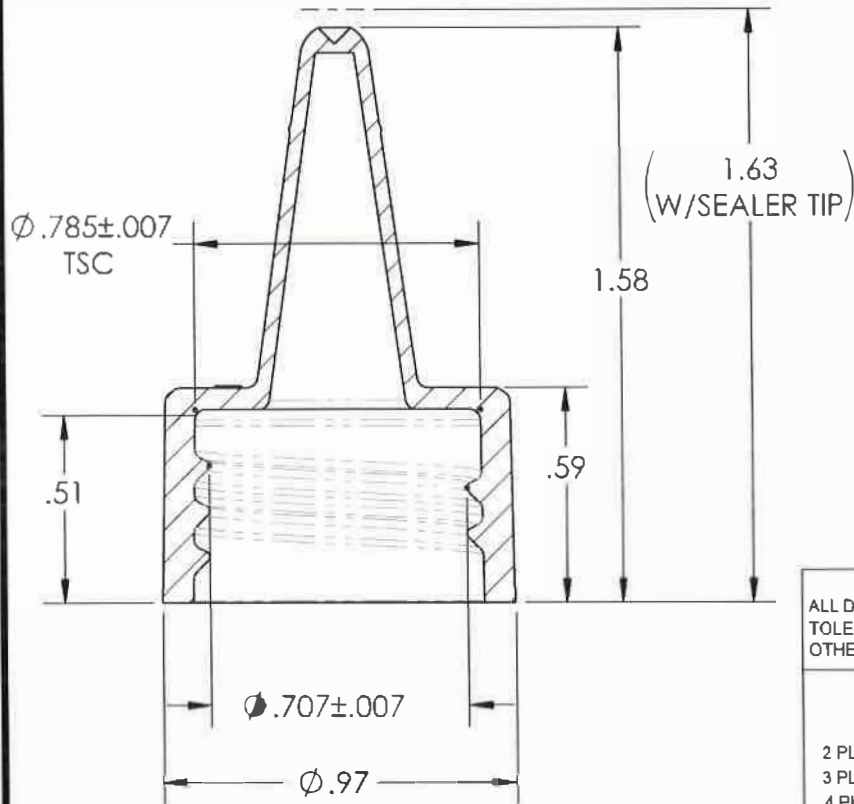
The
CARYCOMPANY
Est. 1895

1195 W. Fullerton Ave. | Addison, IL 60101 | T: 630.629.6600 | F: 630.629.3690 |

EC/ECO	REV.	DESCRIPTION	DRAWN	CHECKED	APPR'VD
	B	REDRAWN IN SW	PWH 02/13/18	JL 02/15/18	JL 02/15/18



ACTUAL SIZE



SECTION A-A

NOTES:

- TORQUE SPEC: TIGHTENING FORCE = 8-12 IN/LBS
- SURFACE FINISH: SPE SPI#3
- HOLE SIZES AVAILABLE: .030, .055, .080, .090 OR NO HOLE AS SHOWN
- THREAD SPEC: YORKER BUTTRESS FORM - 2 TURNS OF FULL THREAD.

ALL DIMENSIONS IN INCHES. TOLERANCES UNLESS OTHERWISE SPECIFIED	DRAWN: TDS	DATE: 11/06/92	The CARY COMPANY <small>Est. 1895</small> 1303 S. Batesville Rd. Greer, SC 29650-9301	
	CHECKED:	DATE:		
2 PL DEC +/- .015 3 PL DEC +/- .010 4 PL DEC +/- N/A ANGLES +/- .50° ALL UNDIMENSIONED FEATURES TO HAVE A TOLERANCE OF $\pm .010$ "	APPROVED:	DATE:	TITLE: SPOUT CAP 20mm - 410 FINISH	
	MATERIAL: LDPE	GRADE:		
	MOLD NO.: 5012	COLOR: AS ORDERED	REV: B	10694-S-B
	CUSTOMER PART NO.:	SCALE: 2:1	SHEET: 1 OF 1	SIZE A