

# IF YOU...



MIX IT. FILL IT. PACK IT. SHIP IT.

# WE HAVE A **PRODUCT** FOR YOU



Part #	30W24S
Neck Width	24mm
Neck Finish	24-410
Cap Liner	Unlined-No Liner
Color	White
Material	PP



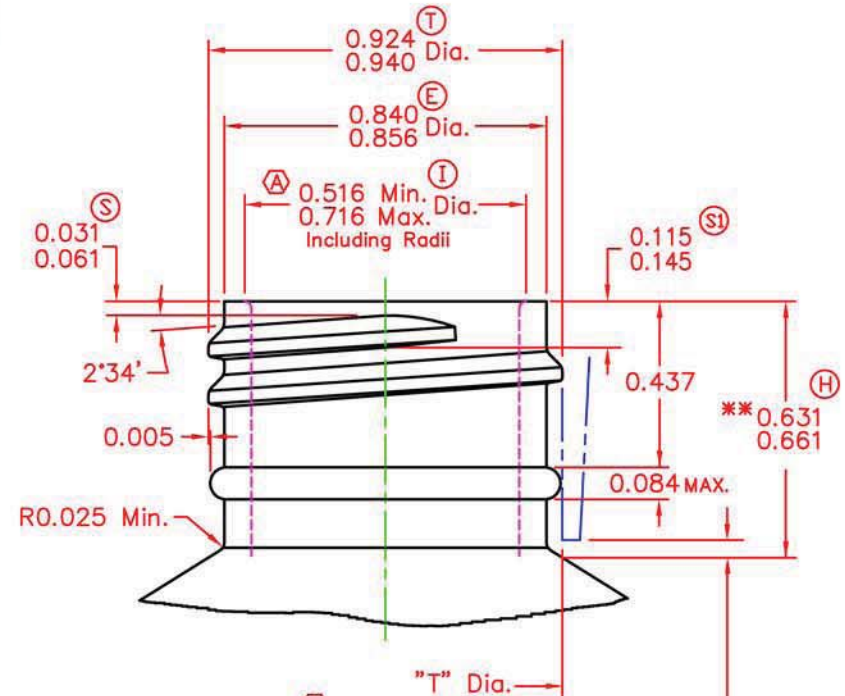
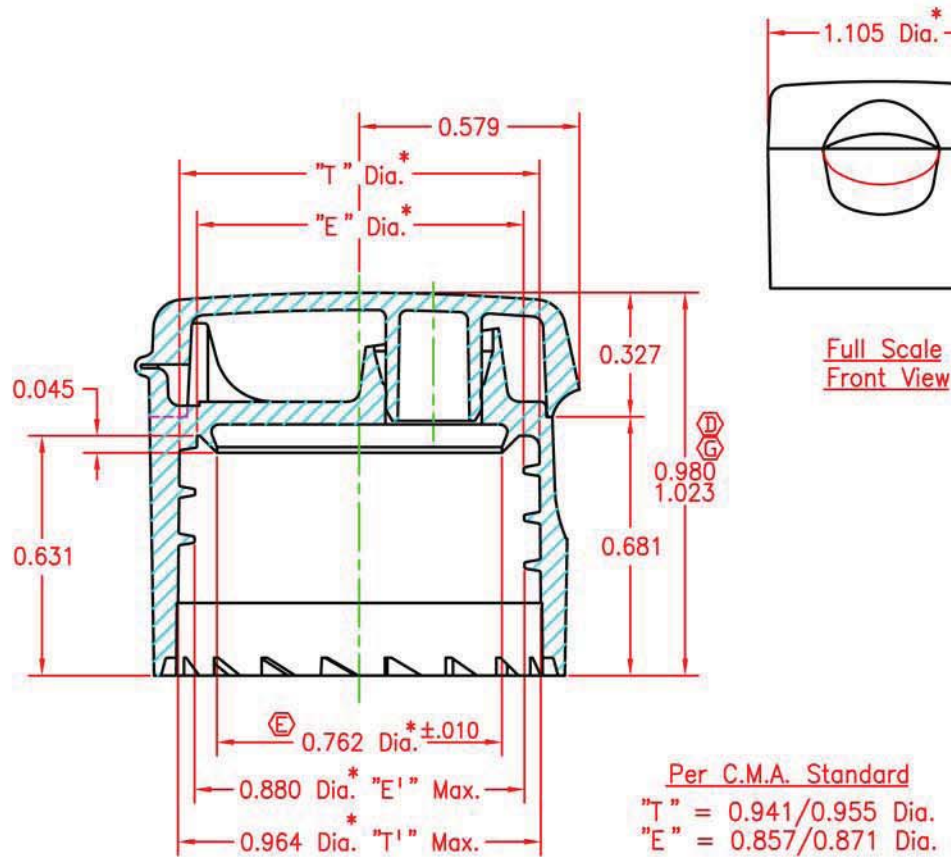
Part & Print No. 30W24S 30W24T

Rev.: G Remarks:

Product Name and Description:  
24mm/410/PC Dispensing Closure

Size: 24 (mm) Finish: 410 Style: PC Seal: ARC

# CUSTOMER DRAWING



\*\* Bottle "H" Dim. Creates A Cap Skirt- Bottle Shoulder Clearance Of .015" To .061" This Can Be Adjusted To Suit Aesthetic Requirements. (Min. Functional "H" 0.617)

**BOTTLE NOTES:**

- 1) Thread: 8 Pitch, Per S.P.I. Standard.
- 2) Diameters must be concentric within .015" T.I.R.
- 3) All Dimensions are in inches unless otherwise indicated.

Dimensions marked \* are an average of two measurements taken 90° apart.  
GENERAL TOLERANCE NOT SHOWN OTHERWISE: ± .008

Date	Sym.	Revision Record	Auth.	Dr.
12/2/96	A	.515/.716 was .656/.765	C.W.S.	G.G.
3/11/99	B	Added 4.75 orifice size	C.W.S.	G.G.
3/22/99	C	Added Bottle "H" Clearance	C.W.S.	G.G.
5/3/04	D	Added 0.015" tolerance	P.J.B.	G.G.
12/13/05	E	Changed dimensions to reflect the molding parts	P.J.B.	G.G.
11/28/07	F	Removed the Seal Type Note	P.J.B.	G.G.
5/21/09	G	0.980-1.023 w 1.008 ± .015	P.J.B.	G.G.

Supplied By: **The Cary Company**  
Ph: 630-629-6600  
www.thecarycompany.com

Product Name and Description: 24mm/410/PC Dispensing Closure		Size: (mm) 24	Finish: 410	Style: PC	Seal: ARC
Spouts and Orifices Available: 1.5mm, 3mm, 4.75 & 6mm Dia.					
Application Torque: 12-14 Inch/lbs. Max.	Shipping Info: Pcs./Carton:	Carton Wt. (Lbs.)	Molding Material: Polypropylene	Dwn.By: G.G.	
Remarks:		Date: 3/29/95	Part & Print No. 30W24S 30W24T		Rev.: G