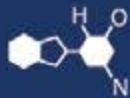


# IF YOU...



MIX IT. FILL IT. PACK IT. SHIP IT.

# WE HAVE A **PRODUCT** FOR YOU

Part #: 30W26S

---

---



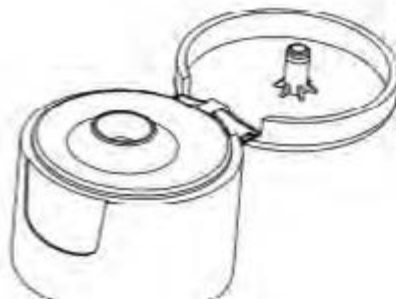
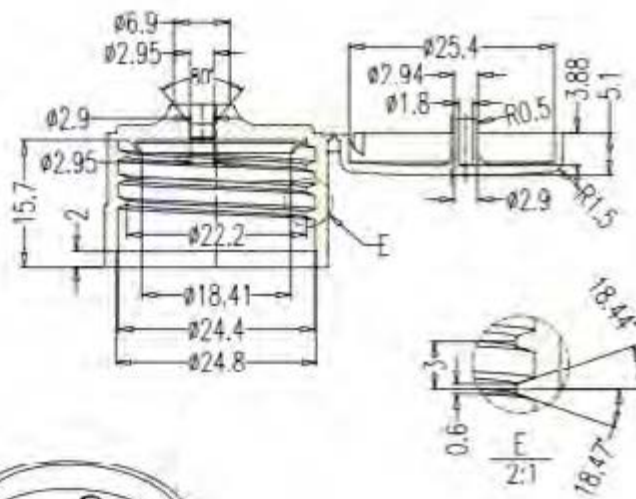
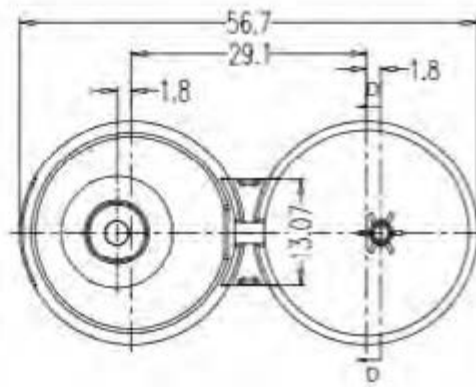
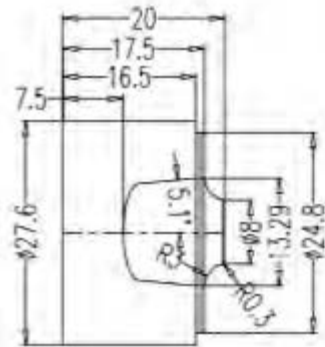
---

The  
**CARY**COMPANY  
Est. 1895

1195 W. Fullerton Ave. | Addison, IL 60101 | T: 630.629.6600 | F: 630.629.3690 |

SNAP TOP CAP, 24mm 24/410

PART#30W26S



G.W: 11kgs

MEAS:48\*34\*44cm