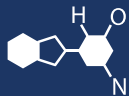


# IF YOU...



MIX IT. FILL IT. PACK IT. SHIP IT.

# WE HAVE A **PRODUCT** FOR YOU

Part #: 30W28Y

---

---

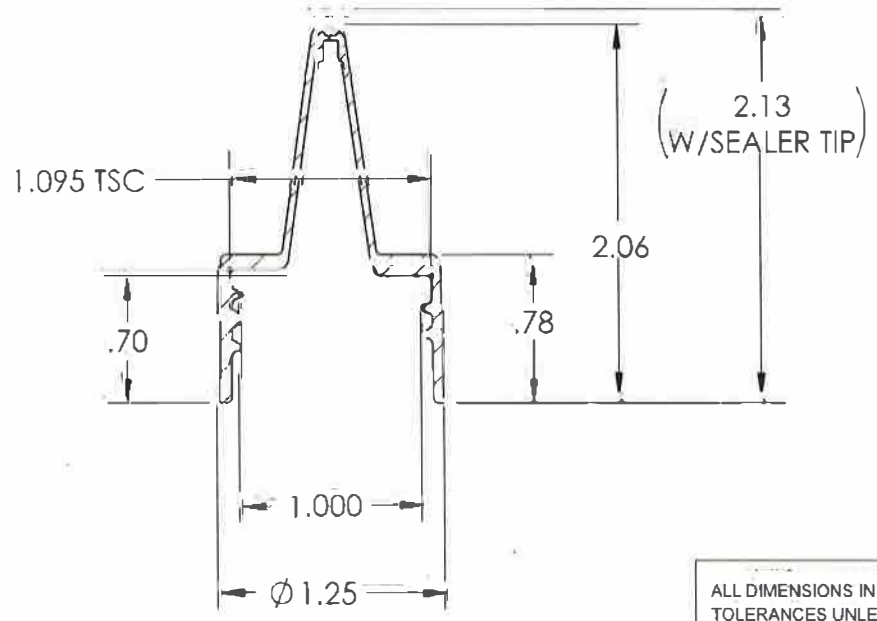
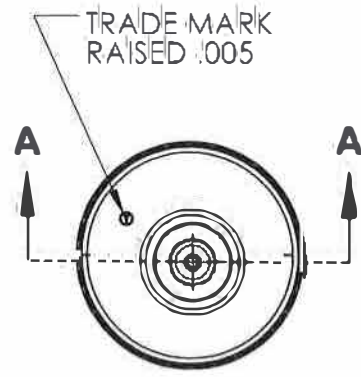


---

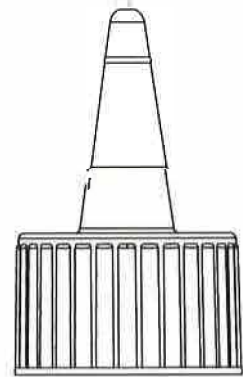
The  
**CARY**COMPANY  
Est. 1895

1195 W. Fullerton Ave. | Addison, IL 60101 | T: 630.629.6600 | F: 630.629.3690 |

ECN/ECO	REV.	DESCRIPTION	DRAWN	CHECKED	APPROVD
	C	REDRAWN IN SW	PWH 02/13/18	J 02/15/18	J 02/15/18



SECTION A-A



ACTUAL SIZE

NOTES:

1. TORQUE SPEC. TIGHTENING FORCE 12-21 IN-LBS
2. SURFACE FINISH: SPE SPI#3
3. HOLE SIZES AVAILABLE: .030, .055, .085, .090 OR NO HOLE AS SHOWN
4. THREAD SPEC.: YORKER BUTTRESS FORM 2 TURNS OF FULL THD.

ALL DIMENSIONS IN INCHES. TOLERANCES UNLESS OTHERWISE SPECIFIED.	DRAWN: IDS	DATE:		
	CHECKED: HNV	DATE: 11/06/92		
2 PL DEC +/- .015 3 PL DEC +/- .010 4 PL DEC +/- N/A ANGLES +/- .50° ALL UNDIMENSIONED FEATURES TO HAVE A TOLERANCE OF ±.010"	APPROVED:	DATE:	TITLE: <b>SPOUT CAP 28mm 410 FINISH</b>	
	MATERIAL: LDPE	GRADE:		
	MOLD NO.: 5034	COLOR: AS ORDERED	REV. C	PART/DWG NO.: 10699-S-C
	CUSTOMER PART NO.:	SCALE: 1:1	SHEET: 1 OF 1	SIZE: A