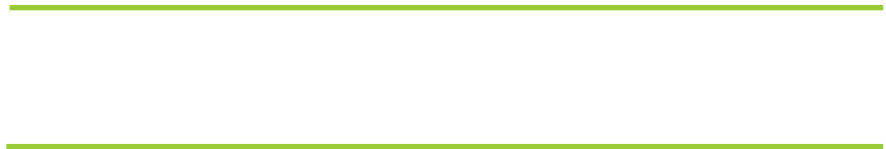


IF YOU...



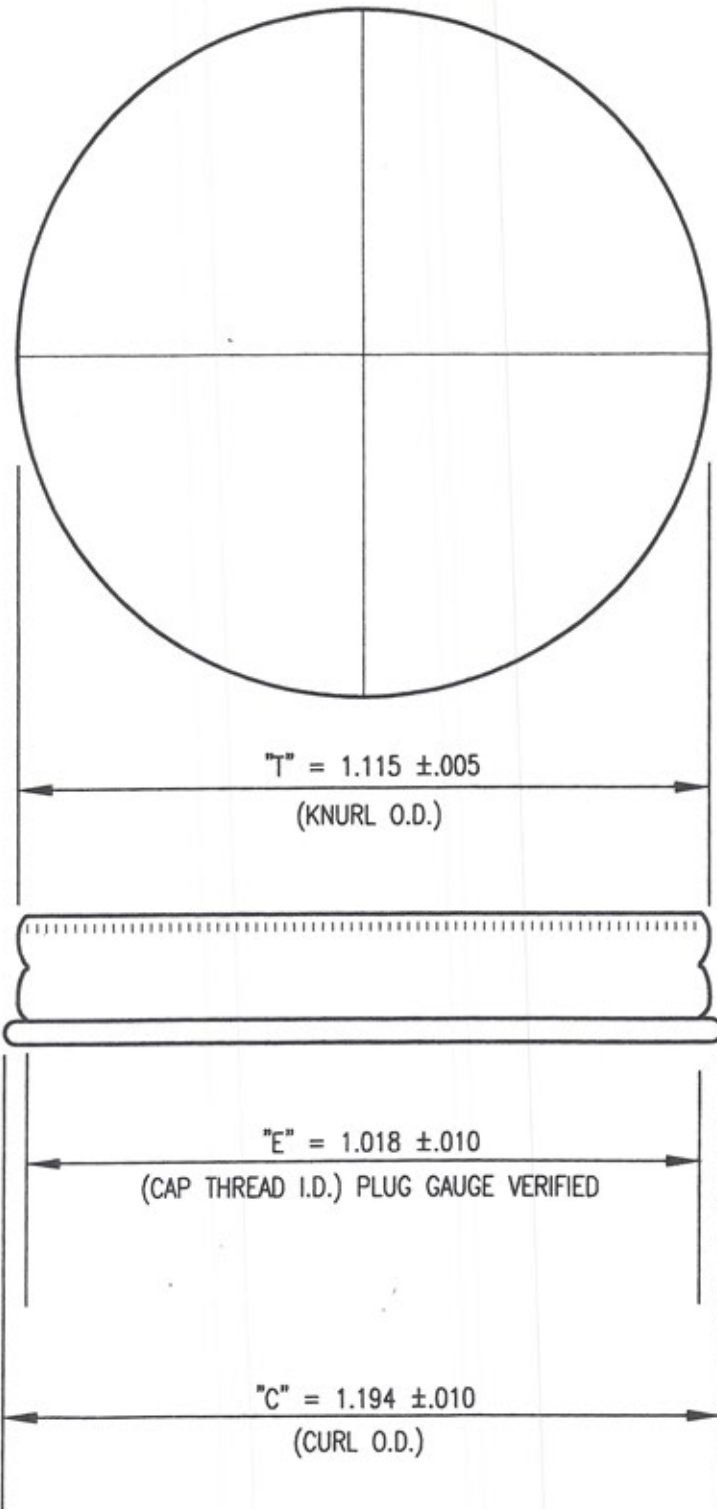
MIX IT. FILL IT. PACK IT. SHIP IT.

WE HAVE A PRODUCT FOR YOU

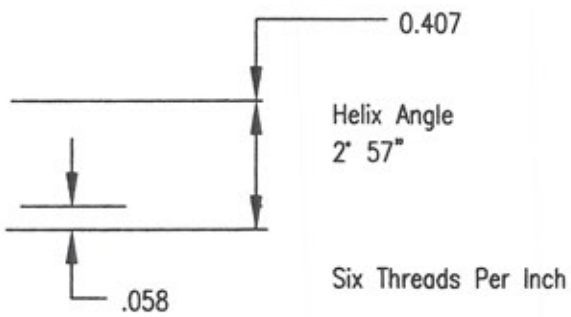


Part #	30W29S
Neck Width	28mm
Neck Finish	28-400
Color	Silver
Material	Metal





SIZE **28** MM CT SCREW CAP
 METAL CLOSURE
 CONTINUOUS THREAD DIMENSIONS



DWG. No. 600505		DATE: 1951
		DWG. BY LJT
GMA Rev. CL-1006	11- 1-95	PRECISION CALIPER VERIFIED
		BY: JDV 12-10-98
Note: USER RESPONSIBLE FOR PERFORMANCE OF CONTAINER		

Closure dimensions shown are those which we have determined to be functional and within the tolerances of the Closure Manufacturers Association. Because of variation in container dimensions each closure/container system should be individually evaluated to ensure proper fit.