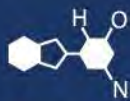


# IF YOU...



MIX IT. FILL IT. PACK IT. SHIP IT.

# WE HAVE A PRODUCT FOR YOU

Part #: 30W2BC

---

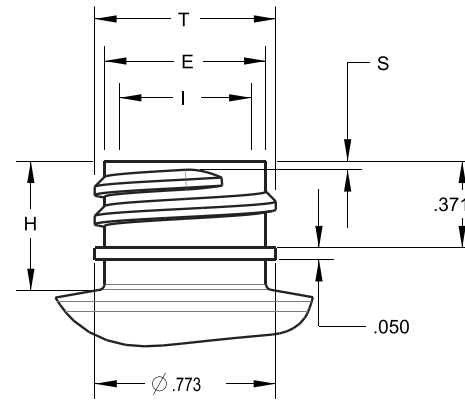
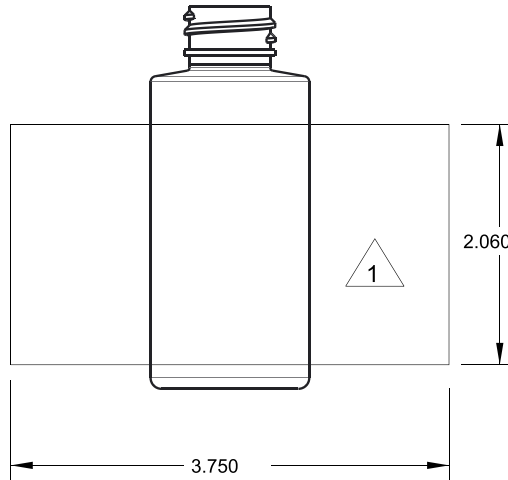
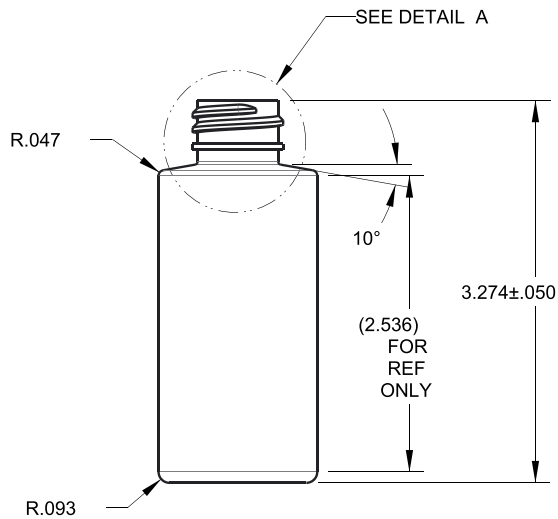
---



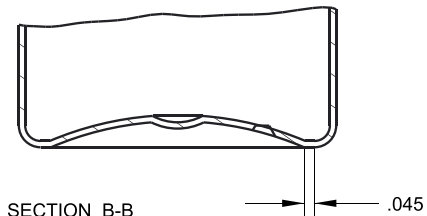
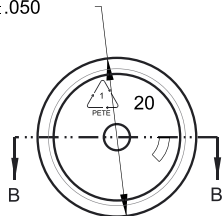
---

The  
**CARY**COMPANY  
Est. 1895

1195 W. Fullerton Ave. | Addison, IL 60101 | T: 630.629.6600 | F: 630.629.3690 |



Ø 1.358±.050



NOTE:  
CLOSURES WITH MORE THAN 1 1/2 TURNS OF THREAD MAY INTERFERE WITH BEAD, WHICH ALSO MAY RESULT IN AN IMPROPER SEAL AT LAND AREA.

Neck Finish:		DISCLAIMER: The Cary Company assumes no responsibility for form, fit and function of closures, accessories, and/or shelf life and compatibility of intended contents with this bottle.				The <b>CARY</b> COMPANY Est. 1895	
All measurements are in inches, [Metric]	Min Thk	Color	Weight	Std. Pack	Revisions		Scale: _____ Drawn By: SCT Date: 06-28-18
	.012	All Colors	9.5 Gm± 1	1120, Bulk	A Add note 5/16/11.sct	50ml LIQUID ROUND, PET, 20-410 CT	
				B ADDED 8 T.P.I. & 1-1/2 THREAD TURNS & TOLERANCES TO OVERALL	DwgRev <b>B</b>		
				C HEIGHT & DIAMETER, 25-OCT-18			Approved By: SJ
Neck Dimensions:		Tolerance: Where not shown Decimal ±0.05 [1,27] Angular ±1°		Material: <b>PET</b>		Drawing NO: 50LR1AV20M410	
		Overflow Capacity: 60 ml ± 2.0					

1 MAX SCREEN PRINT AREA