

# IF YOU...

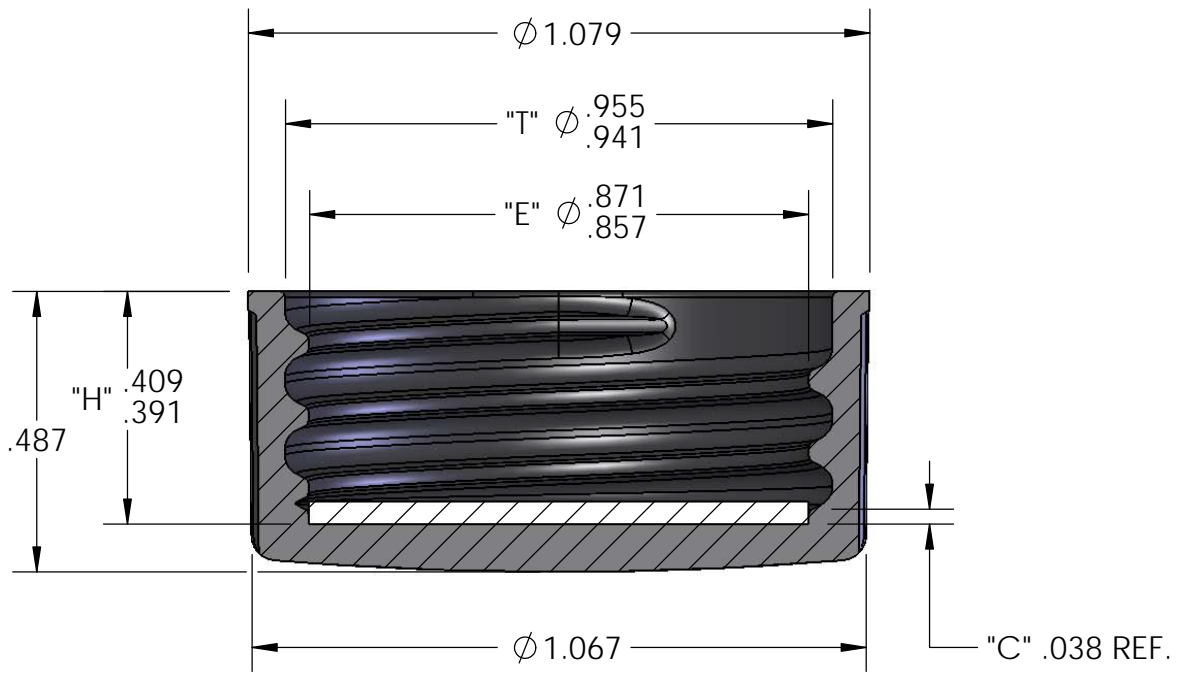


MIX IT. FILL IT. PACK IT. SHIP IT.

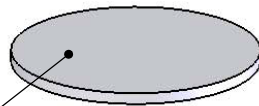
# WE HAVE A PRODUCT FOR YOU



Part #	30W2BR
Neck Width	24mm
Neck Finish	24-400
Cap Liner	.050" 14B Rubber Liner
Liner Compatability	Glass, PE (HDPE, LDPE), PET, PP, PVC, Universal
Color	Black
Material	Phenolic
Dimensions	1.067"W x .487"H
Case Pack	4,400 ea.
Pallet Pack	140,800 ea. (32 Cases)



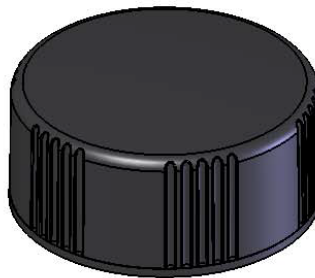
SEE STANDARD LINER  
 OPTIONS (OTHER LINERS  
 AVAILABLE UPON REQUEST)



SEE STANDARD CLOSURE  
 OPTIONS (OTHER COLORS  
 AVAILABLE UPON REQUEST)



SCALE 3:2



SCALE 3:2

**CUSTOMER APPROVAL:**

NAME	DATE
------	------

STANDARD CLOSURE OPTIONS			STANDARD LINER OPTIONS		SHIPPING INFO		<b>The CARY COMPANY</b> <small>Est. 1895</small>																							
CODE	COLOR	MATERIAL	CODE	DESCRIPTION	CASE WEIGHT	48.84 lbs																								
19	WHITE	UREA	00	NO LINER	CASE COUNT	4,400																								
90	BLACK	PHENOLIC - WOOD	12	.035" PULP/ALUMINUM FOIL	BOXES/PALLET	32																								
94	BLACK	PHENOLIC - MINERAL	24	.035" PULP/TIN FOIL	<b>UNLESS OTHERWISE SPECIFIED:</b> DIMENSIONS ARE IN INCHES <b>TOLERANCES:</b> FRACTIONAL $\pm 1/16"$ ANGULAR $\pm 2"$ TWO PLACE DECIMAL $\pm .02$ THREE PLACE DECIMAL $\pm .010$																									
			25	.035" PULP/VINYL																										
			50	.040" PE																										
			51	.040" TRI FOIL																										
			65	.050" RUBBER																										
			66	.050" RUBBER/.005" PTFE	<table border="1"> <thead> <tr> <th colspan="2"></th> <th>NAME</th> <th>DATE</th> <th colspan="2">CLOSURE INFO</th> </tr> </thead> <tbody> <tr> <td>DRAWN</td> <td>SWC</td> <td>11/29/16</td> <td>SIZE</td> <td colspan="2">24mm</td> </tr> <tr> <td>APPROVED</td> <td>JME</td> <td>12/12/16</td> <td>FINISH</td> <td colspan="2">400</td> </tr> <tr> <td colspan="3">SCALE: 3:1</td> <td>THREAD</td> <td colspan="2">8 TPI</td> </tr> </tbody> </table>				NAME	DATE	CLOSURE INFO		DRAWN	SWC	11/29/16	SIZE	24mm		APPROVED	JME	12/12/16	FINISH	400		SCALE: 3:1			THREAD	8 TPI	
		NAME	DATE	CLOSURE INFO																										
DRAWN	SWC	11/29/16	SIZE	24mm																										
APPROVED	JME	12/12/16	FINISH	400																										
SCALE: 3:1			THREAD	8 TPI																										
			70	.050" LDPE FOAM/.005" PTFE																										
			73	.050" LDPE FOAM																										