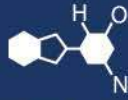


# IF YOU...



MIX IT. FILL IT. PACK IT. SHIP IT.

# WE HAVE A **PRODUCT** FOR YOU

Part #: 30W2BW

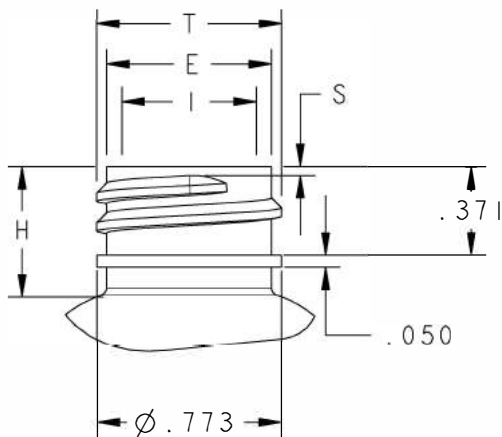
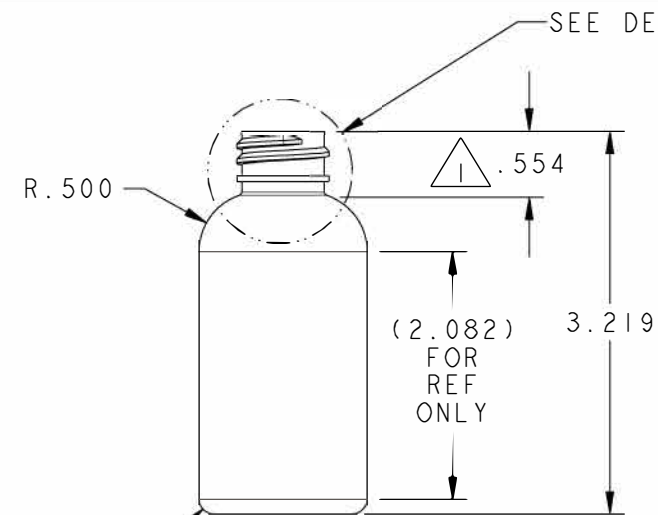
---

---

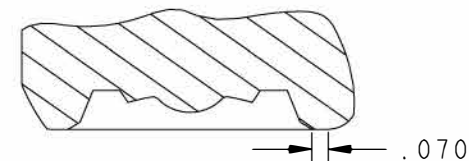
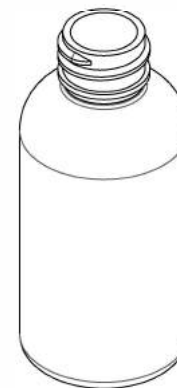


The  
**CARY**COMPANY  
Est. 1895

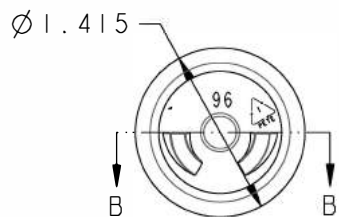
1195 W. Fullerton Ave. | Addison, IL 60101 | T: 630.629.6600 | F: 630.629.3690 |



DETAIL A  
SCALE 2/1



SECTION B-B  
SCALE 2/1



NOTE:  
CLOSURES WITH MORE THAN 1 1/2 TURNS OF THREAD MAY INTERFERE WITH BEAD, WHICH ALSO MAY RESULT IN AN IMPROPER SEAL AT LAND AREA.



8.2g OVFL = 62.5 ml  
9.5g OVFL = 61.47 ml



APPROX. 2 OZ FILL LEVEL

Neck Finish: M20SP410		<b>DISCLAIMER:</b> The Cary Company assumes no responsibility for form, fit and function of closures, accessories, and/or shelf life and compatibility of intended contents with this bottle.			
All measurements are in inches, [Metric]	Min Thk	Color	Weight	Std. Pack	<b>Revisions</b> - Chg PN - was PET-27-00, 11-15-01, S.I. A Add 8.2g, 7-15-05, sct B Add note 5/16/11, sct C Add 62.5±2.5, 8/29/11, sct
		All Colors	8.2 Gms ±1	1120, Bulk	
		Heavy Gram	9.5 Gms ±1	1120, Bulk	<b>The CARY COMPANY</b> <small>Est. 1995</small> Scale: Drawn By: SCT Date: 07-03-01 Dwg Rev: <b>C</b>
Neck Dimensions:		Tolerance: Where not shown		2oz BOSTON ROUND, PET, 20-410	
T = .775±.008		Decimal ±0.05 [1,27]		Approved By: SJ	
E = .691±.008		Angular ±1		Drawing NO: 2BR1XX20M410	
H = .554±.015		Material: PET			
I = 0.404 MIN					
S = .037±.015					
Overflow Capacity: ± 2.5 ml					