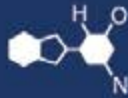


IF YOU...



MIX IT. FILL IT. PACK IT. SHIP IT.

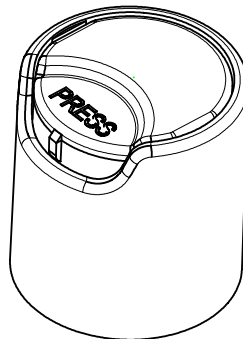
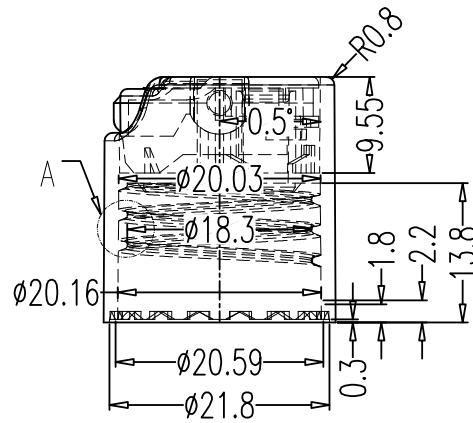
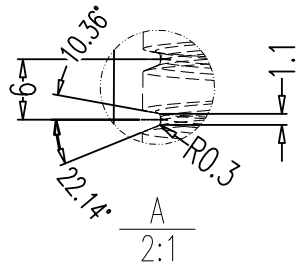
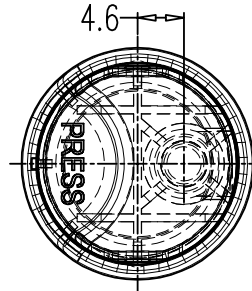
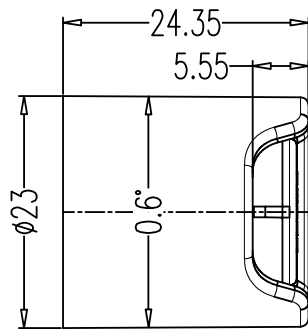
WE HAVE A **PRODUCT** FOR YOU

Part #: 30W2DC



The
CARYCOMPANY
Est. 1895

1195 W. Fullerton Ave. | Addison, IL 60101 | T: 630.629.6600 | F: 630.629.3690 |



The
CARY COMPANY
Est. 1895

PART NO	PART NAME	SIZE	MATERIAL	QUANTITY	HARDNESS	REMARK
TOLERANCES-UNLESS OTHERWISE SPECIFIED			DRAWN	XYM	DATE: 2020-04-01	
.X=±0.1 .XX=±0.02 ANGULAR=±0.1			CHECK		DATE:	
MOULD NAME	30W2DC		APPR.		DATE:	
MOLD NO.			MATERIAL		☐	
FILE LOCATION			SHRINKAGE		SCALE: FIT	
PRODUCT NAME			UNIT	MM	MACHINE SIZE:	
			SHEET	9	OF	9
						REV. 01