

# IF YOU...



MIX IT. FILL IT. PACK IT. SHIP IT.

# WE HAVE A PRODUCT FOR YOU

Part #: 30W2PG

---

---

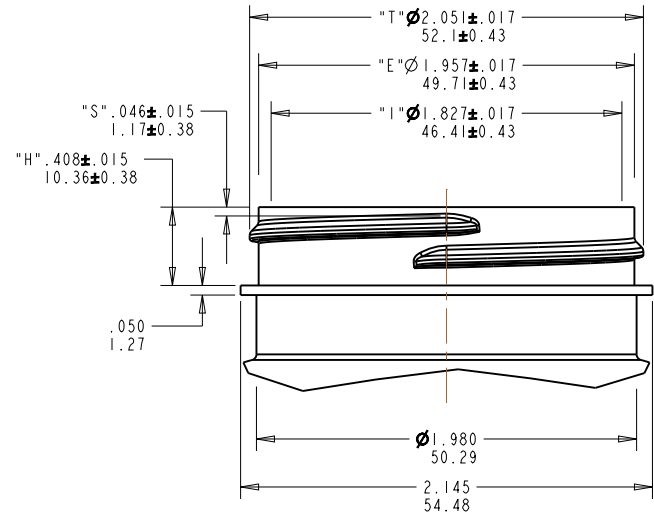
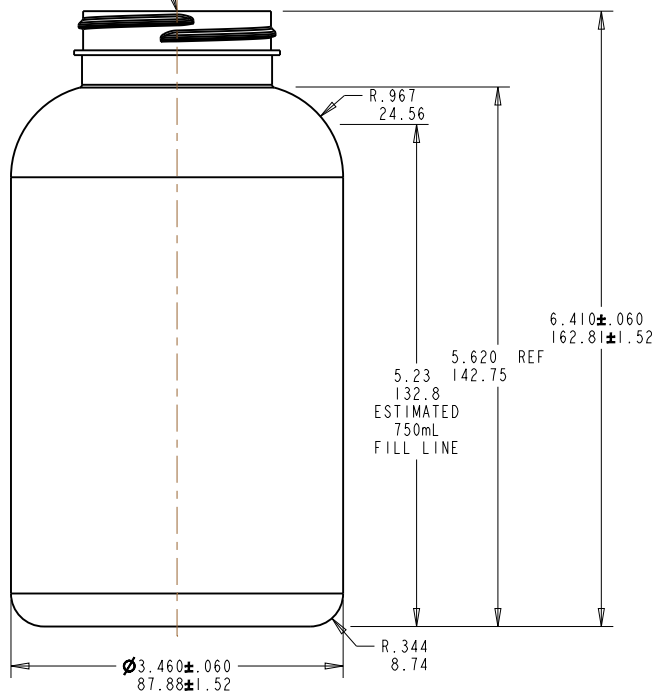


---

The  
**CARY**COMPANY  
Est. 1895

1195 W. Fullerton Ave. | Addison, IL 60101 | T: 630.629.6600 | F: 630.629.3690 |

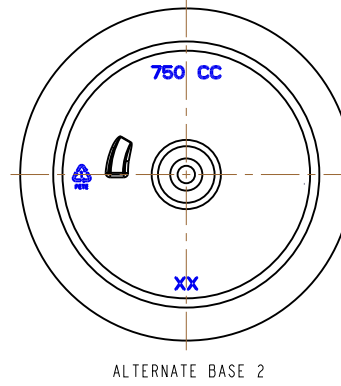
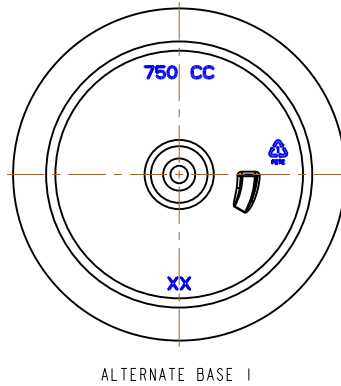
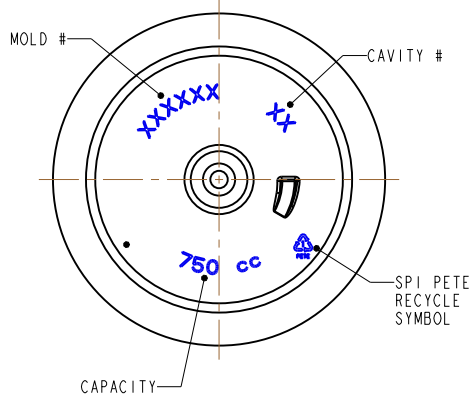
SEE NECK DETAIL



**NECK DETAIL:**  
SCALE 2:1

**FINISH SPECIFICATIONS:**

1. FINISH: M53SP400
2. NO. OF TURNS: 1 FULL TURN
3. THREADS PER INCH: 6
4. THREAD START: 90° FROM P.L. (AS SHOWN)



**NOTES:**

1. CRITICAL DIMENSIONS ARE SHOWN WITH TOLERANCES. CRITICAL DIMENSION TO BE USED FOR QC PURPOSES.
2. ALL OTHER DIMENSIONS TO BE USED FOR REFERENCE ONLY.

02	74.0 ± 3.0	811 ± 15	.015	
01	65.0 ± 3.0	810 ± 15	.012	
No	WEIGHT (g)	OVERFLOW (cc)	MIN WALL (in)	NOTES

The  
**CARY** COMPANY  
Est. 1895

A	230	INITIAL RELEASE SUPERSEDES DWG # 150PS1XXS3M400 Rev D.	RAB	Feb-06-20
REV	ECR	DESCRIPTION	BY	DATE

TITLE <b>750 cc Straight Sided Packer</b>				
TOLERANCES UNLESS OTHERWISE SPECIFIED	DRAWN BY: RAB	NECK: M53SP400	WEIGHT (g):	SEE TABLE
DECIMALS: .XX±	DATE: Feb-06-20	MIN WALL (in): SEE TABLE	OVERFLOW (cc):	SEE TABLE
.XXX±	SCALE: 1:1	CUSTOMER: STOCK	3D FILE No:	10A1104
.XXXX±	SHEET: 1 of 1	MATERIAL: PET	DRAWING No:	10A1104
FRACTIONS: ±	NPD No: 14750		REV:	A
ANGLES: ±	SEE NOTE 1			