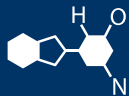


# IF YOU...



MIX IT. FILL IT. PACK IT. SHIP IT.

# WE HAVE A **PRODUCT** FOR YOU

Part # 30W2PT

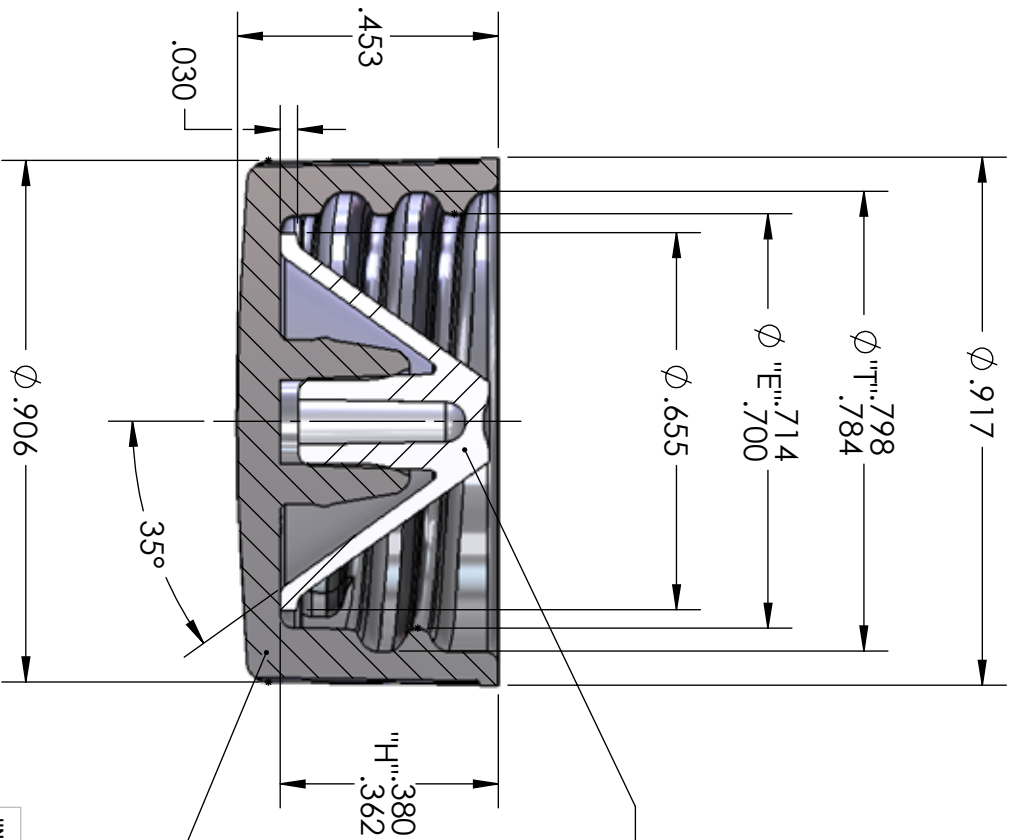
Phenolic Caps

20mm 20-400 Black Phenolic Cap w/  
Poly Cone Insert (Taperseal)



The  
**CARY**COMPANY  
Est. 1895

1195 W. Fullerton Ave. | Addison, IL 60101 | T: 630.629.6600 | F: 630.629.3690 | [TheCaryCompany.com](http://TheCaryCompany.com)



20mm TAPERSEAL LINER LDPE  
LINER FIRM PRESS FIT INTO CAP



20mm-400 RS-20L-FR CAP  
BLACK PHENOLIC, GCMI 20-400 THREAD

RECOMMENDED GLASS BOTTLE 1" DIAMETER MIN-MAX  
.480"-.520"

NO.	REVISION	NAME	DATE

UNLESS OTHERWISE SPECIFIED:  
DIMENSIONS ARE IN INCHES  
TOLERANCES:  
FRACTIONAL ±1/64"  
ANGULAR ±1°  
TWO PLACE DECIMAL ±.015  
THREE PLACE DECIMAL ±.010

	NAME	DATE
DRAWN	CNB	8/20/07
CHECKED		
ENG APPR.		
MFG APPR.		
Q.A.		

SCALE: 3:1

DO NOT SCALE DRAWING

SHEET 1 OF 1

The  
**CARY COMPANY**  
Est. 1895

TITLE:  
**20mm CAP & TAPERSEAL  
LINER ASSY. #44710.9030**

SIZE DWG. NO.

**A**

REV  
**00**

5

4

3

2

1