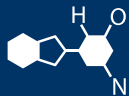


IF YOU...



MIX IT. FILL IT. PACK IT. SHIP IT.

WE HAVE A **PRODUCT** FOR YOU

Part #30W2VH

Vented Caps

28mm 28-410 White Ribbed (Matte Top) Vented Plastic Cap w/Dual Liner (Foam & HIS for HDPE)



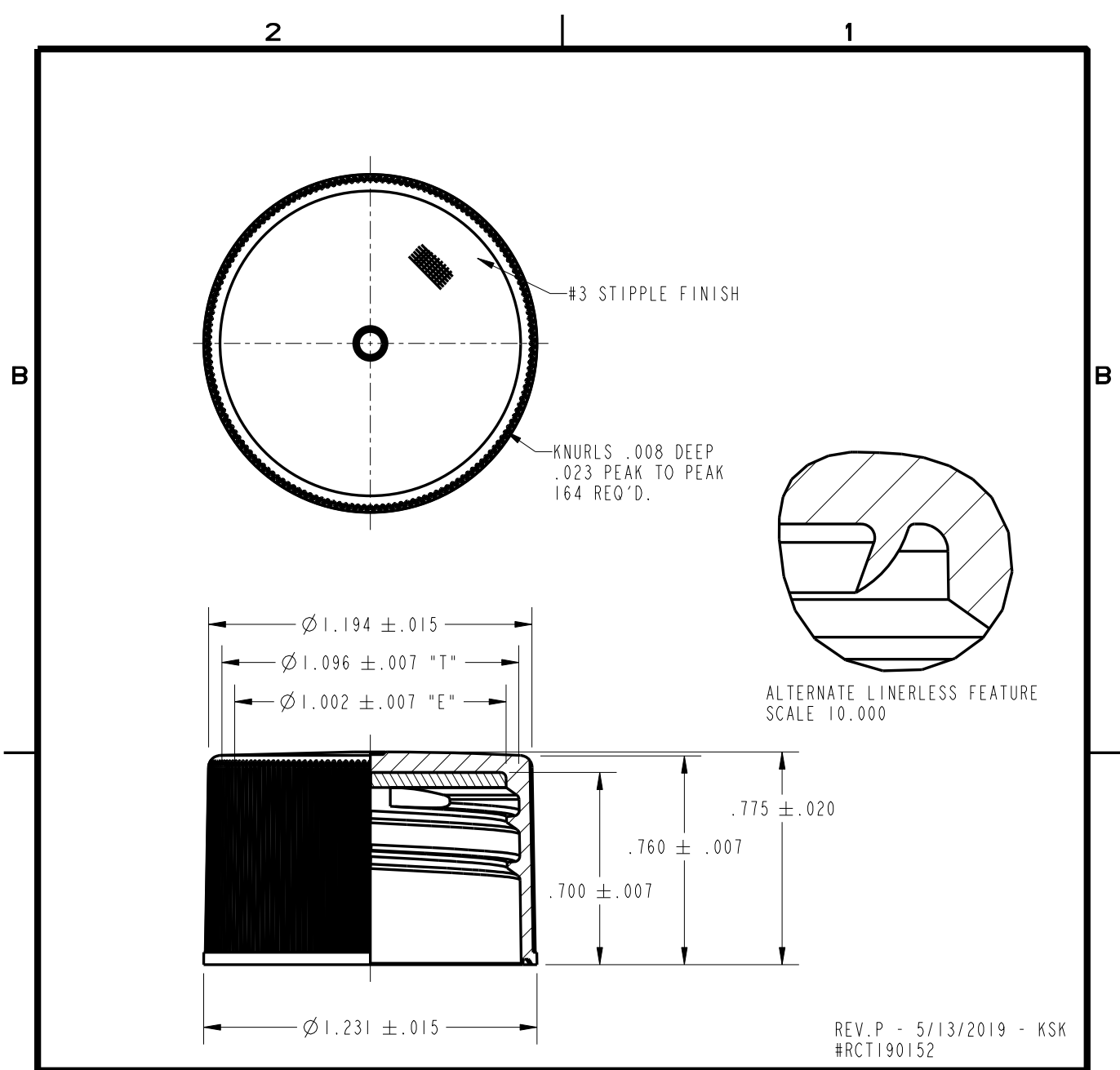
The
CARYCOMPANY
Est. 1895

Vented Cap Data Sheet

Vented Cap Type	28410C4AF4/OI
Selig Part Description	28410 CIR4 AF4

Cap Type	CC28410FTHU Berry Global
Material	Polypropylene
Color	White
Hole Punch Size	0.097" (+/- 0.010")
Hole Punch Location	0.20" (+/- 0.10") edge of cap to edge of hole

Circumvent™ Liner	Circumvent™ 4
Disc Size	0.995" +/- 0.010"
Vent Location	0.200" (+/- 0.050) from the edge of the liner
AirFoil™ Liner	AirFoil™ 4
Disc Size	1.070" +/- 0.010"
Vent Location	0.200" (+/- 0.050") from edge of liner



(XXX)
(XXX)

A REFERENCE DIMENSIONS ARE NOT INSPECTED AND NO TOLERANCE APPLIED
 INSPECTION DIMENSIONS ARE VERIFIED WITH TOLERANCE
A

THIS DRAWING IS NOT A CONTROLLED DOCUMENT IF PRINTED OR COPIED FROM THE APPROVED LOCATION

CONFIDENTIAL

THIS UNPUBLISHED WORK IS THE PROPERTY OF CARY CO AND IS PROTECTED BY TRADE SECRET, COPYRIGHT AND OTHER INTELLECTUAL PROPERTY LAWS AND MAY ALSO BE SUBJECT TO A SPECIFIC OR GENERAL CONFIDENTIALITY AGREEMENT. IT IS NOT TO BE VIEWED BY UNAUTHORIZED PERSONS OR DUPLICATED IN ANY MEDIUM FOR PURPOSES OTHER THAN THOSE FOR WHICH IT IS SPECIFICALLY FURNISHED.

SIZE AND STYLE: CC28410FTHU - LINED CLOSURE CC28410FTLC - LINERLESS CLOSURE		DRAWING TYPE:	
DESCRIPTION: 28-410 HSC			
DRAWING NO: K6946		PROJECT NO:	
CREATED BY: C.CLODFELTER	CREATION DATE: 8/31/95	DRAWING REVISION: P	SHEET 1 of 1
		SCALE: 2:1	SHEET SIZE A

2 | 1

Vented Liner Data Sheet

Vented Liner Type	Circumvent™ 4
Vented Liner Description	CIR4 F217

Liner Material	TriSeal F-217 LDPE Foam
Thickness (in)	0.040 (Nominal)

Membrane Material	XC4 Oleophobic ePTFE
Support Layer	PP non-woven scrim
Effective Vent Diameter (in)	0.125 (+/- 0.01)
Reference Pore Size (µm)	0.45

Vented Liner Data Sheet

Vented Liner Type	AirFoil™ 4
Vented Liner Description	AF4 ISPE U10

Liner Material	Selig ISPE U10 induction PE
Thickness (in)	0.013 (Nominal)

Membrane Material	XC4 Oleophobic ePTFE
Support Layer	PP non-woven scrim
Effective Vent Diameter (in)	0.125 (+/- 0.01)
Reference Pore Size (µm)	0.45