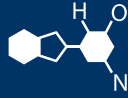


IF YOU...

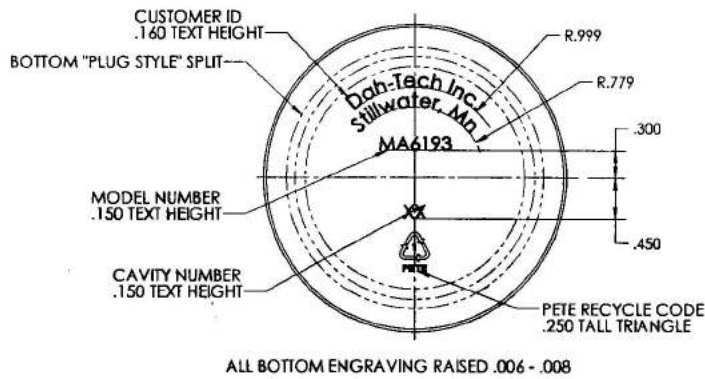
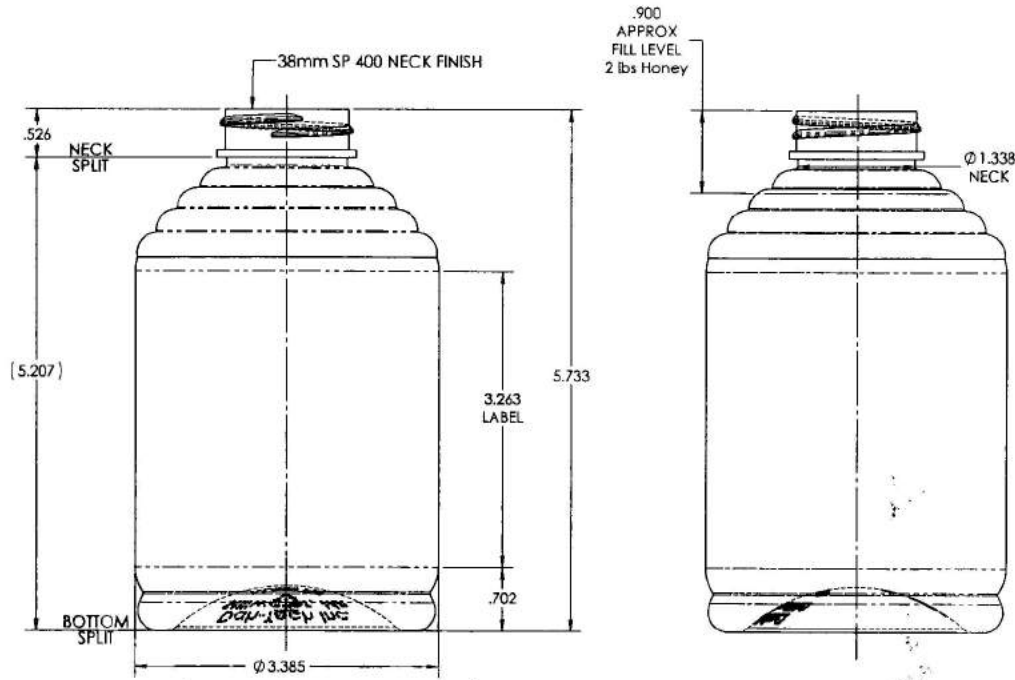


MIX IT. FILL IT. PACK IT. SHIP IT.

WE HAVE A PRODUCT FOR YOU



Part #	30W2XP
Capacity	2 lb., 21 oz.
Overflow Capacity	656 ml. (22.2oz)
Color	Clear
Material	PET
Dimensions	3.385" Dia. x 5.733"H
Label Panel Dimensions	3.263"H
Neck Finish	38-400
Neck Width	38mm
BPA Free	Yes
FDA Approved	Yes
Case Pack	216 ea.
Pallet Pack	2,160 ea. (10 Cases)
Note	21 fl.oz. (2 lb. / 32 oz. Honey Weight)



- Notes:**
1) Tolerances Unless Specified:
 Vertical -- $\pm .050$
 Horizontal -- $\pm .060$
 Volumetric -- ± 0.44 oz
2) Bottles to be Checked Aged with 20° C water

Drawn By: KDG	Date: 05JAN12	Container Data		Description: Product Drawing 2 Lbs Honey
Checked: MJS	Date: 05JAN12	Weight	38.5 grams	
Customer: DahTech	Job#: 15615	Fill Level Capacity	2 Lbs Honey	Size: C Drawing Number: MA6193-2 Scale: 1:1 REV ~ SHEET 1 OF 1
Reference Materials:		Overflow Capacity	22.2 fl oz water	
MA-P-1654		Material	PETE	
		Avg. Wall Thickness		