

# IF YOU...



MIX IT. FILL IT. PACK IT. SHIP IT.

# WE HAVE A PRODUCT FOR YOU



---

16 oz. Glass Economy Jar, 63mm  
63-400

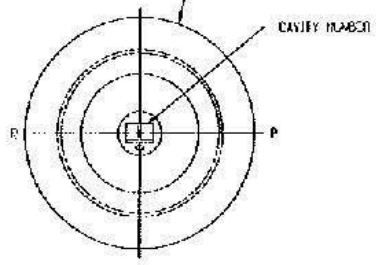
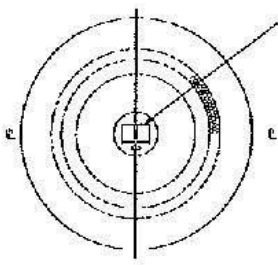
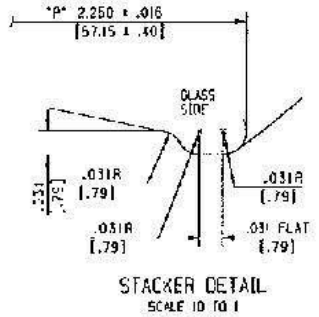
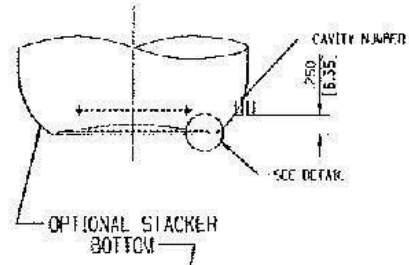
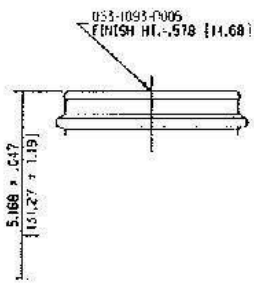
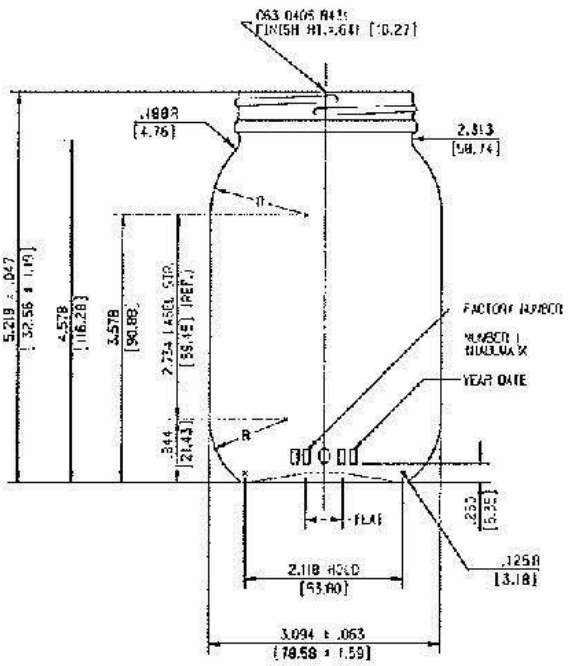
---

*Product Category: Glass Economy Jars*

Part #	30W316
Capacity	16 oz.
Color	Clear
Material	Glass
Neck Finish	63-400
Neck Width	63mm
Note:	Packed in a 24x1 Re-Shipper Carton, 24/bx

---

# 30W316



FINISH	OVERFLOW CAPACITY
063-0405-0131	16.470 fl. oz. ± 0.250 fl. oz. [487.80 ml ± 7.35 ml]
053-1093-0065	16.392 fl. oz. ± 0.250 fl. oz. [484.18 ml ± 7.35 ml]

-27 ADDCD 063-1093-R005 FOR: ADDN CAP. CHART.	DUN 20 JAN 93	ALL LETTERING TO BE PLACED BOTTOM STAMP, RAISED IN GLASS, UNLESS OTHERWISE NOTED. CAPACITY TO BE BASED ON WATER AT 68°F (20°C)	RELATE DESIGN BY PROCESS	STOCK	
				16 OZ. PACKER	
-26 ADDER "P" PREFIX TO STACKER DIM. & OPTIONAL C.I.D. DIMS. REV'D				DESCH. R010	(INT'L SALES)
*TENTATIVE*: MADE C.I.D. RINGS OPTIONAL.	DUR: 27 OCT 93	OVERFLOW CAPACITY SEE CHART		INTL	CAD LIB. BOM
-25 PROGRAM UPDATED NOTES & WT. TOL. TO STD.	ELN 21 MAY 92	PRE. POINT OVERFLOW		DATE: 21 MAY 91	CASH REF. NO. (D)
-24 SP. BUL. REMOVED FROM FIN. DECSS. & "P" NO. ADCCD	NSB 13 JUL 94	HEIGHT 7.250 OZ. ± 0.513 OZ. (205.53 ± 8.88 g)		PLUSH/MTN DEC190	APP'D: 00 1/23/97
REVISIONS					4310 ANL STR C 5018

NOT TO SCALE UNLESS OTHERWISE NOTED

**CARY** Supplied By: **The Cary Company**  
Ph: 830-629-6600  
www.thecarycompany.com