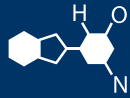


# IF YOU...



MIX IT. FILL IT. PACK IT. SHIP IT.

# WE HAVE A **PRODUCT** FOR YOU

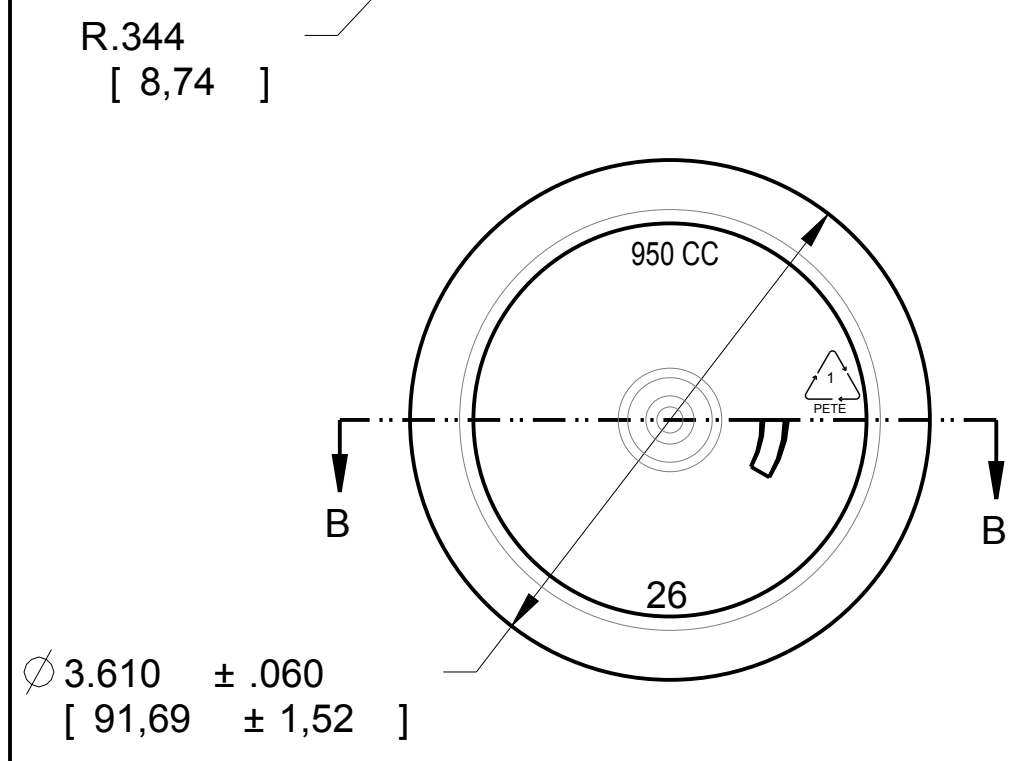
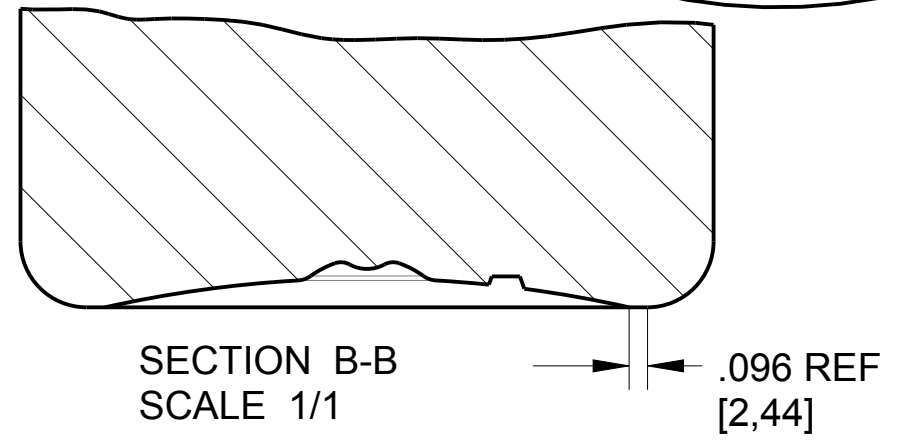
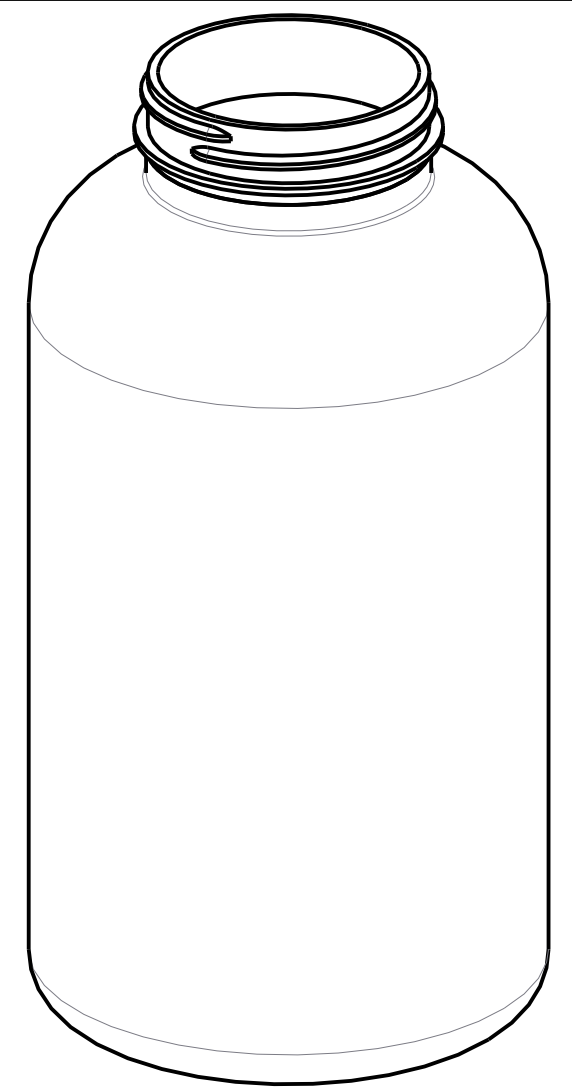
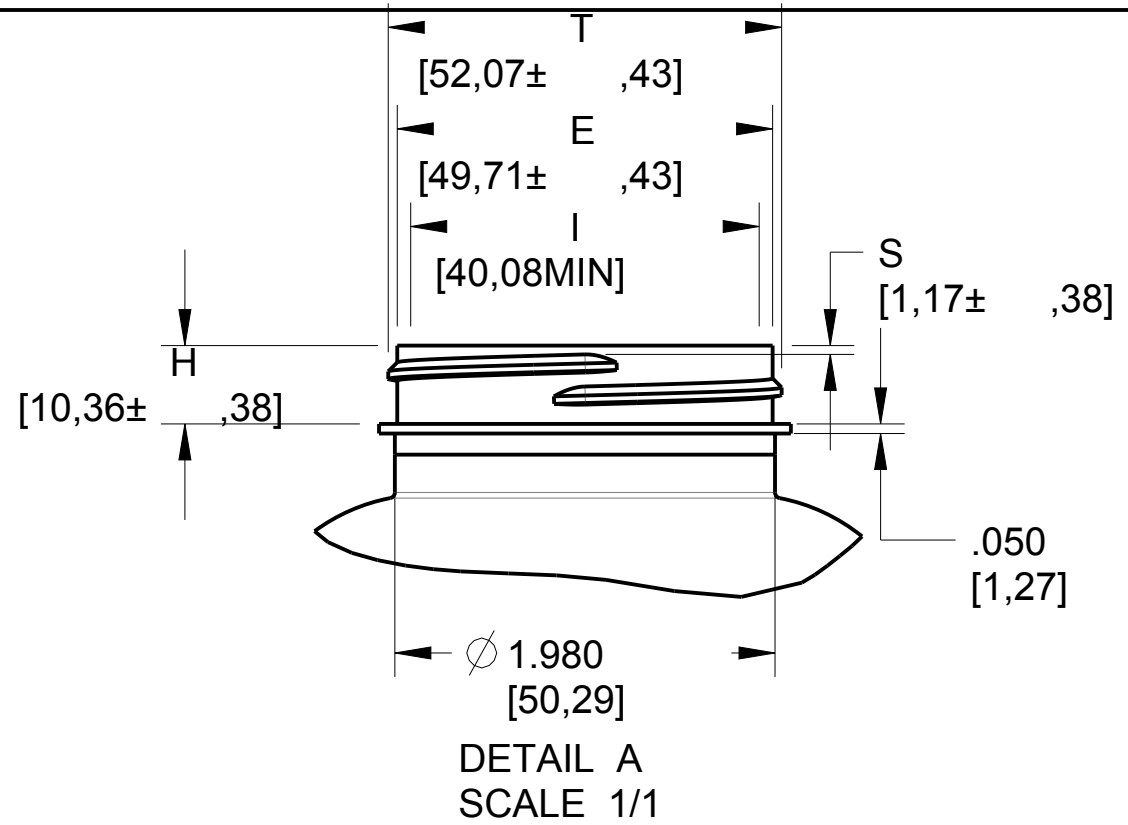
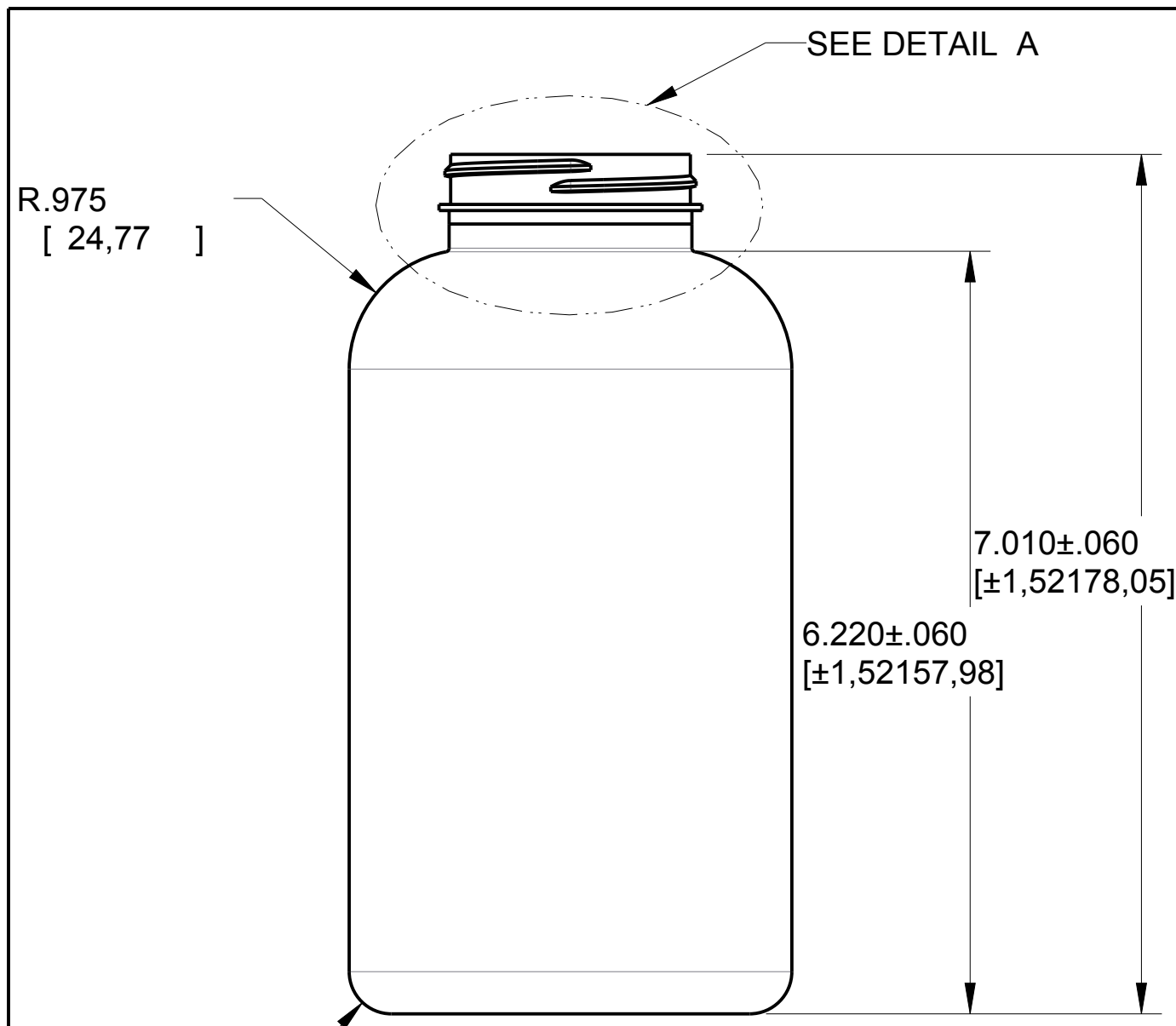
Part # 30W33P

---

32oz. (950cc) Clear PET Plastic Packer Bottle,  
53mm 53-400

---





Neck Finish: M53SP400									
All measurements are in inches, [Metric]	Min Thk	Color	Weight	Std. Pack	Revisions		The <b>CARY COMPANY</b> <small>Est. 1895</small>		
	.015[.38]	All Colors	74 Gms ± 3	72, Stack	A	Add Metrics 5/20/10.sct			
					B	Updated weight tol. 01-10-14 RAB			
Neck Dimensions:					Tolerance: Where not shown		Scale: 3/4	Drawn By: SCT	Date: 11-25-02
T = 2.050 ± .017					Decimal ± 0.05 [1,27]		950 CC, STRAIGHT SIDED, PET,		DwgRev
E = 1.957 ± .017					Angular ± 1°		53-400 CT		<b>B</b>
H = .408 ± .015					Material: PET		Approved By: SJ		Drawing NO:
I = 1.578 MIN		Overflow Capacity: 985 ml ± 15							
S = .046 ± .015									