

IF YOU...



MIX IT. FILL IT. PACK IT. SHIP IT.

WE HAVE A PRODUCT FOR YOU

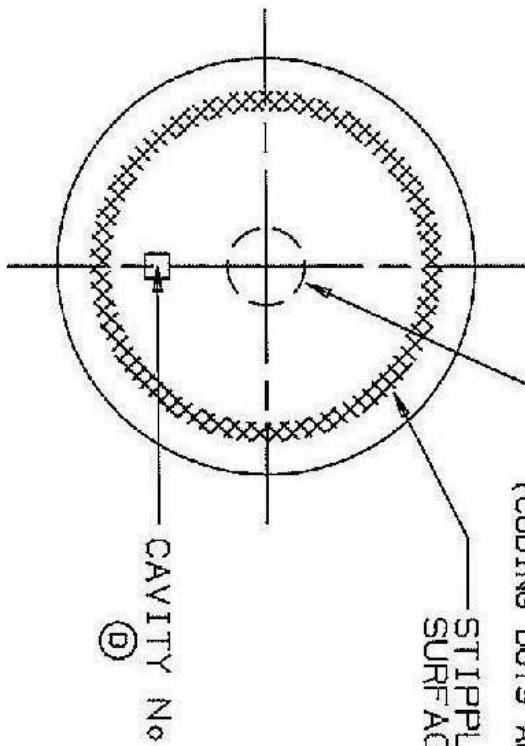


Part #	30W371
Capacity	2 oz.
Color	Clear
Material	Glass
Dimensions	2.156" Dia. x 1.922"H
Neck Finish	53-400
Neck Width	53mm
Case Pack	24 ea.
Pallet Pack	9,216 ea. (384 Cases)
Note	Packed in a 24x1 Re-Shipper Carton 24/bx



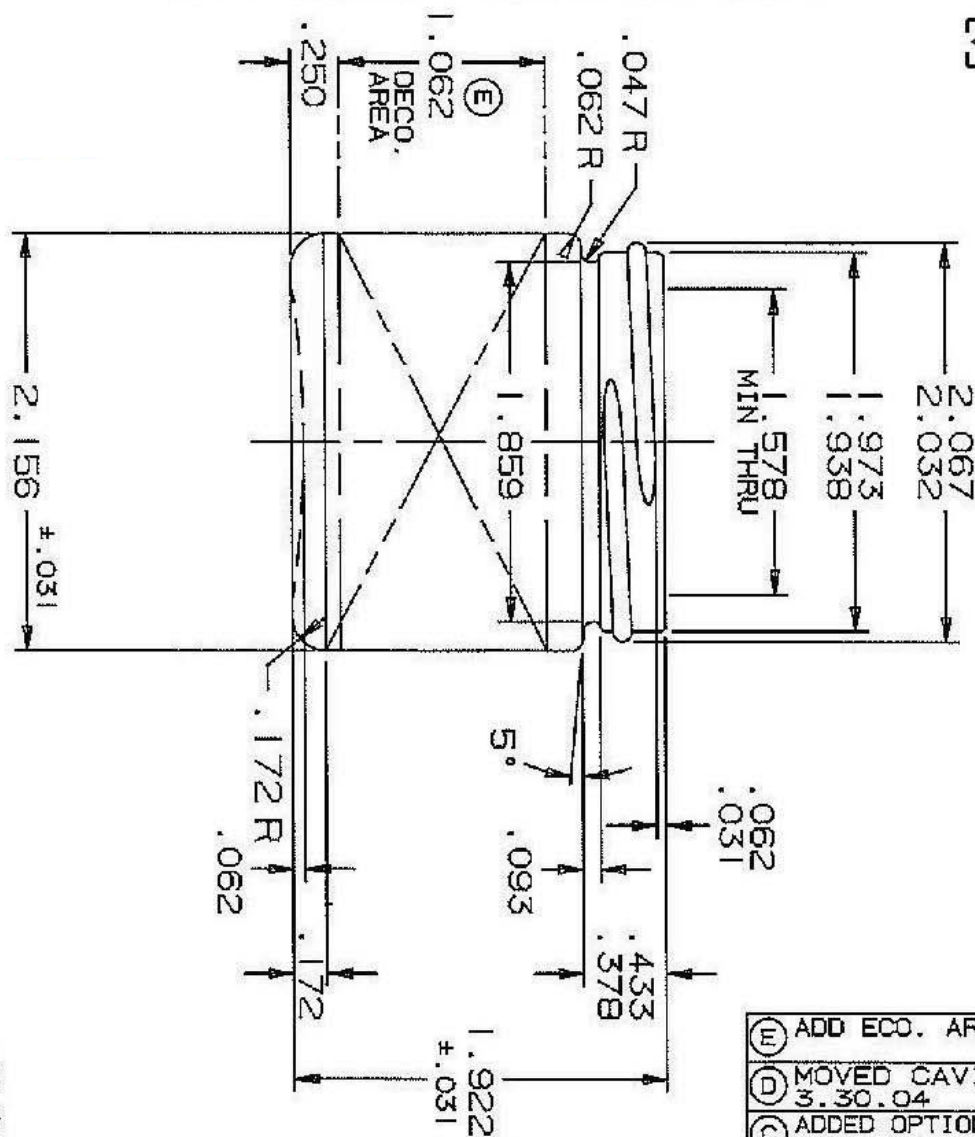
Supplied By: **The Cary Company**
 Ph: 630-629-6600
 www.thecarycompany.com

30W371



CAVITY No
 ⓓ

STIPPLE BEARING
 CODING DOTS TO APPEAR
 ON A .200 RADIUS
 (CODING DOTS ARE OPTIONAL)
 ⓑ ⓐ



DEPRESSED THREAD
 AT SEAMS

A019819A

TITLE	MOLD REGISTER NO. S-1371RXI	DATE DRAWN 12-8-94	ⓓ ADD ECO. AREA 7-7-2009
CUSTOMER ROUND JAR	SCALE FULL UNLESS OTHERWISE NOTED	DRAWN BY T U	ⓐ MOVED CAVITY NUMBER 3.30.04
PRACTICAL FILL 2 oz	APPROX. WGT. 2.9 oz	CHECKED BY	ⓑ ADDED OPTIONAL CODING DOT NOTE 6-29-98
CAPACITY 71.5cc - 76.1cc OF			ⓐ BOTTOM LETTERING 12/4/97
FINISH GPI 400-53MM-405 (U' CUT)			ⓐ REMOVE STACKING FEATURE FROM BOTTOM 5-14-97
			REVISIONS

82.2 GRAMS. FLINT SUPERSEDES S-1371R & S-1371RX (# E-5319A) 5-9-69