

IF YOU...



MIX IT. FILL IT. PACK IT. SHIP IT.

WE HAVE A PRODUCT FOR YOU



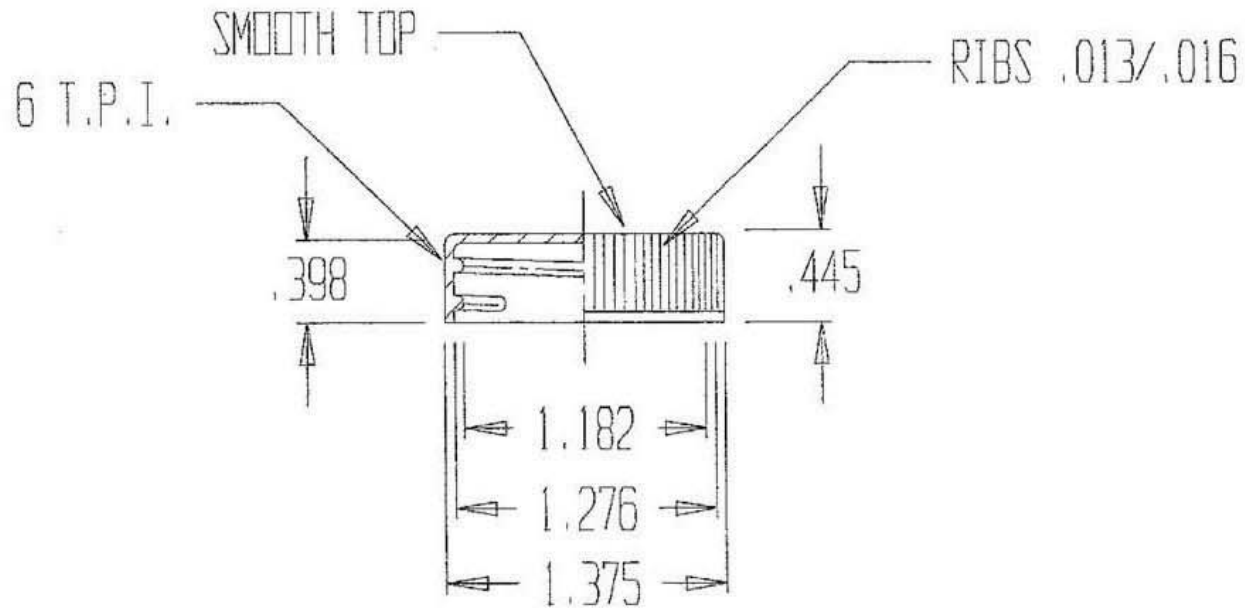
Part #	30W3BL
Neck Width	33mm
Neck Finish	33-400
Color	Black
Material	PP
Case Pack	4,000 ea.
Pallet Pack	140,000 ea. (35 Cases)
Case Weight	22 lbs.
Case Dimensions	20.5" x 13.625" x 12.65
Case Dimensions	20.5" x 13.625" x 12.65"
FDA Approved	Yes

REVISIONS

REV.	DATE	APPROVAL	DESCRIPTION
1	7-22-03	G.G.	Change Tolerance

APPROVED

JUL 23 2003
Quality Assurance



UNCONTROLLED

"T"	"E"	"H"	"A"	"B"
1.276	1.182	.398	1.375	.445
MATERIAL: POLYPROPYLENE				
WEIGHT: 2.1 GRAMS +/- 1.5 grams				

"RS" 33 M.M./400 CAP



Supplied By: **The Cary Company**
Ph: 630-629-6600
www.thecarycompany.com

TOLERANCE: +/- .010	DRAWN BY: P.D.T.
SCALE: FULL	DATE: 6-5-95
DRAWING NO. C-3007	