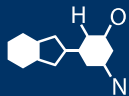


IF YOU...

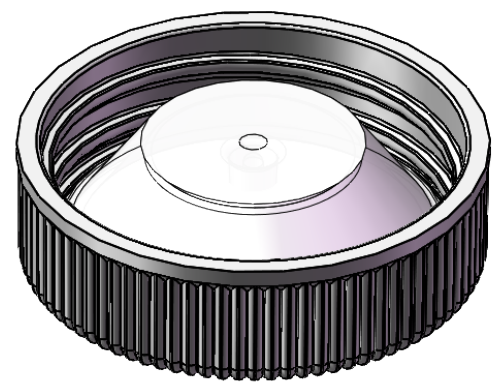
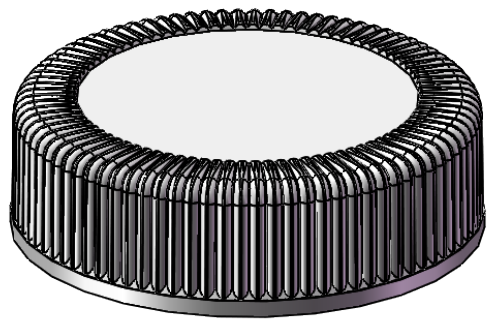
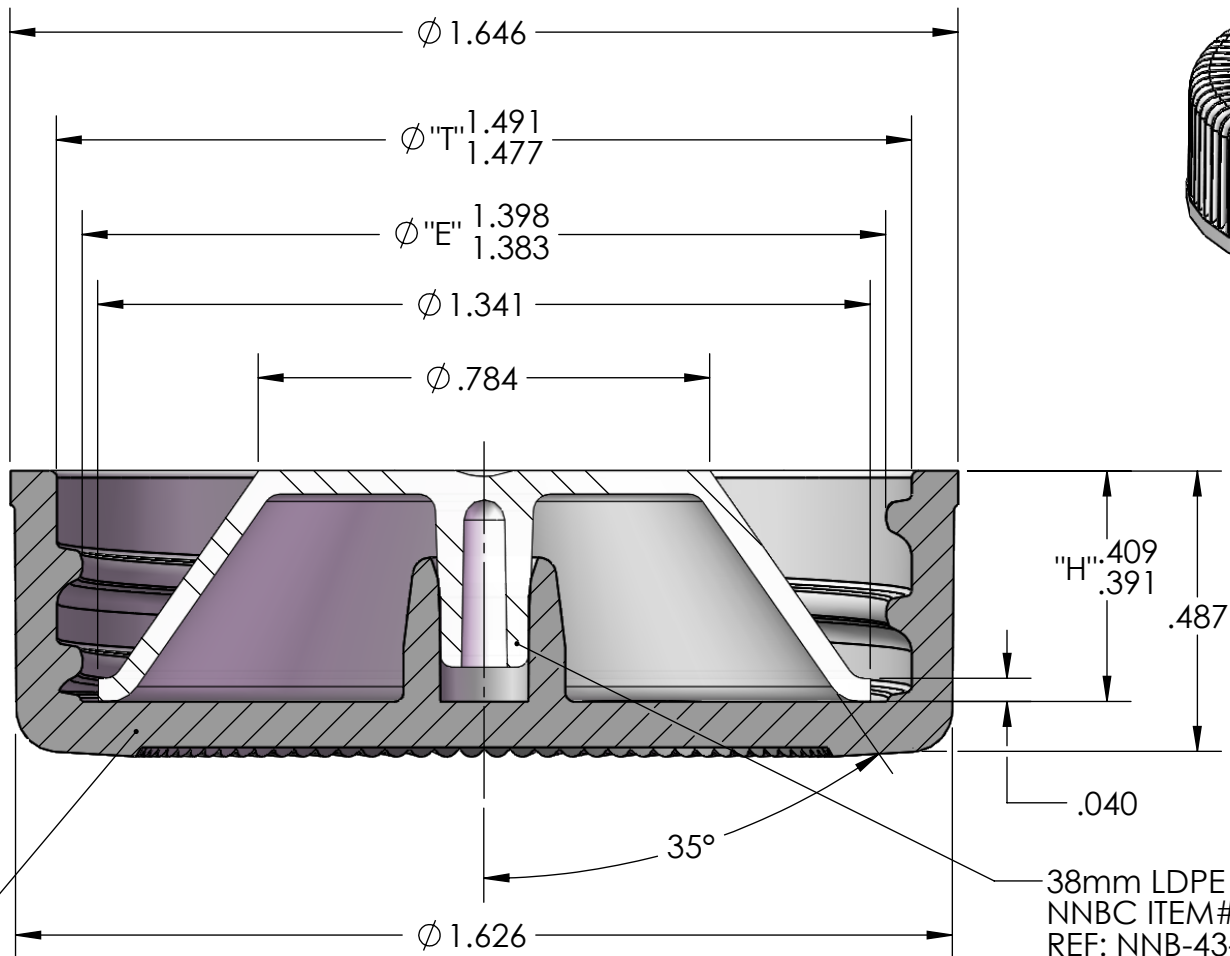


MIX IT. FILL IT. PACK IT. SHIP IT.

WE HAVE A PRODUCT FOR YOU



Part #	30W3BP
Neck Width	38mm
Neck Finish	38-400
Liner Compatability	Glass, PE (HDPE, LDPE), PET, PP, PVC, Universal
Color	Black
Material	Phenolic
Dimensions	1.626"W x .487"H
Case Pack	1,700 ea.
Pallet Pack	54,400 ea. (32 Cases)



38mm-400 DS-38L-FR BLACK PHENOLIC CAP
 NNBC ITEM# 44210.9000
 REF: NNB-42-00029-C

38mm LDPE TAPERSEAL LINER
 NNBC ITEM# CF00130
 REF: NNB-43-00160-B
 LINER FIRM PRESS FIT INTO CAP

RECOMMENDED GLASS BOTTLE "I" DIAMETER MIN-MAX
 1.118"-1.158"

UNLESS OTHERWISE SPECIFIED:
 DIMENSIONS ARE IN INCHES
TOLERANCES:
 FRACTIONAL ±1/16"
 ANGULAR ±2°
 TWO PLACE DECIMAL ±.02
 THREE PLACE DECIMAL ±.010

NO.	REVISION	NAME	DATE

	NAME	DATE
DRAWN	<i>[Signature]</i>	10/28/2011
CHECKED	<i>[Signature]</i>	10/28/2011
ENG APPR.	<i>[Signature]</i>	10/28/2011
MFG APPR.	<i>[Signature]</i>	10/28/2011
Q.A.	<i>[Signature]</i>	10/28/2011

The **CARY COMPANY**
 Est. 1895

TITLE:
 38mm DS CAP & TAPERSEAL
 LINER ASSY.

SCALE: 1:1
 DO NOT SCALE DRAWING

SIZE DWG. NO.
A

REV
00

SHEET 1 OF 1