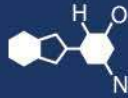


IF YOU...



MIX IT. FILL IT. PACK IT. SHIP IT.

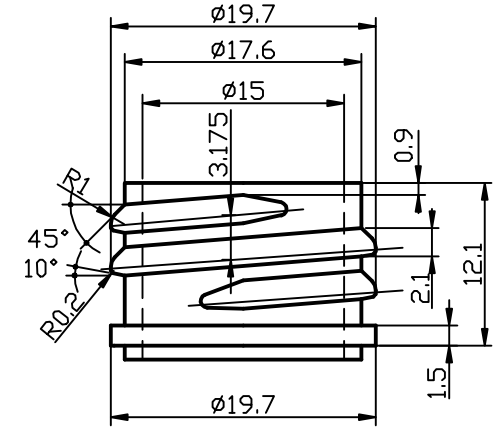
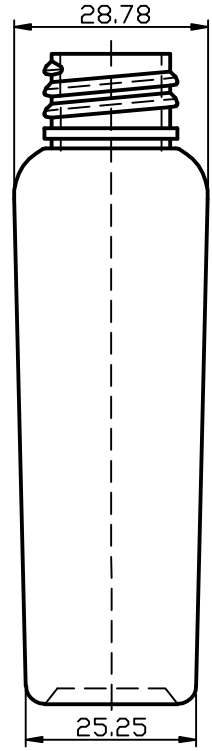
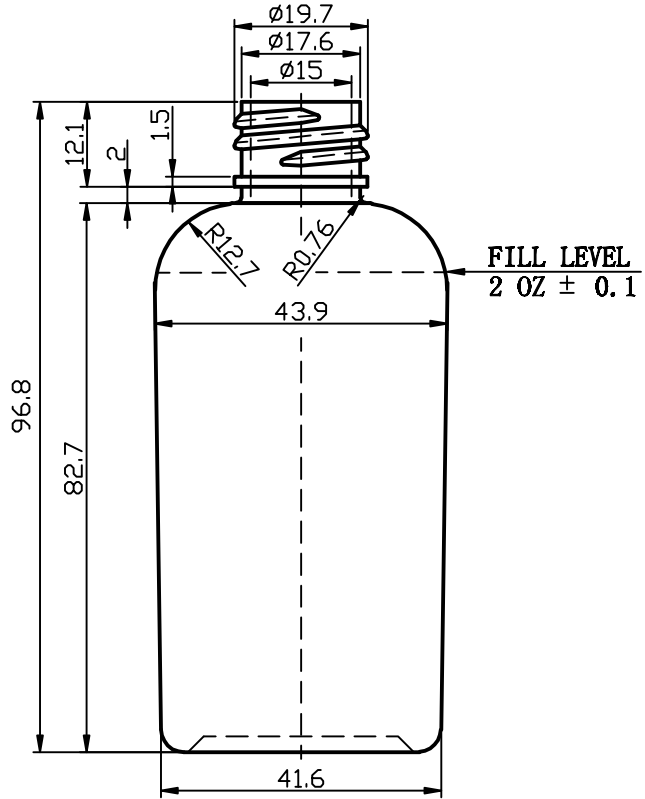
WE HAVE A **PRODUCT** FOR YOU

Part #: 30W3CB

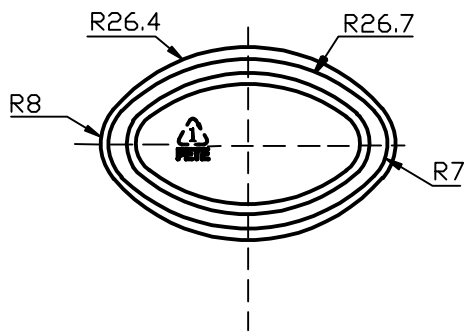


The
CARYCOMPANY
Est. 1895

1195 W. Fullerton Ave. | Addison, IL 60101 | T: 630.629.6600 | F: 630.629.3690 |



S/2:1



WEIGHT		8 ± 1 g		
D.F. CAPACITY		68ml ± 3ml		
HEAD SPACE				
F.P. (FROM TOP)				
W/C				
Part no	Name	Nat'1	Quantity	
30W3CB				
DESIGNED				
DRAWN				
TRACED				
CHECKED				
APPROVED				
SCALE	1:0.8			