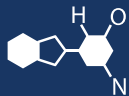


# IF YOU...



MIX IT. FILL IT. PACK IT. SHIP IT.

# WE HAVE A **PRODUCT** FOR YOU

Part #: 30W3LL

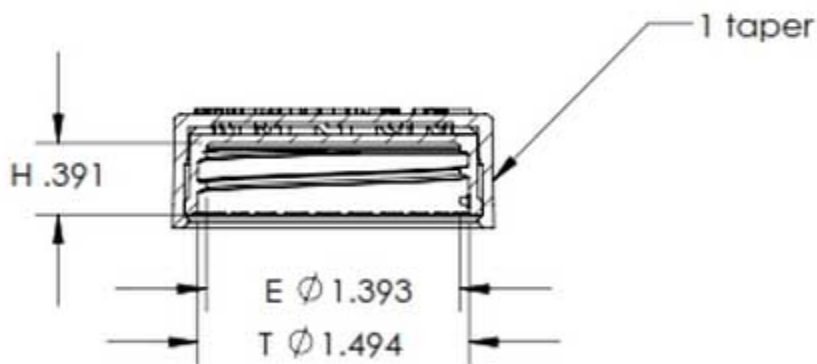
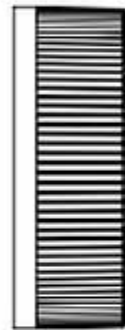
"Push Down & Turn" Child Resistant Caps

38mm 38-400 White Child Resistant Plastic Cap (PDT)  
w/Dual Liner (Foam & HIS for PE/PP)



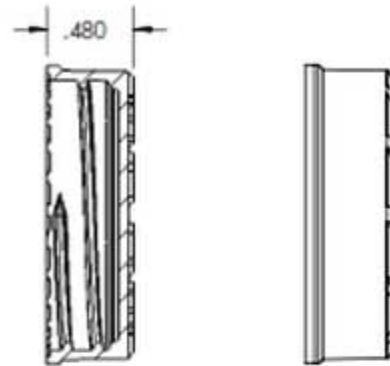
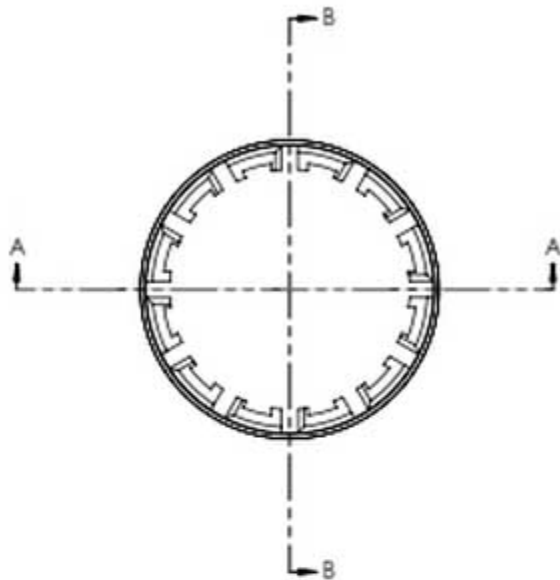
The  
**CARY**COMPANY  
Est. 1895

1195 W. Fullerton Ave. | Addison, IL 60101 | T: 630.629.6600 | F: 630.629.3690 |



SECTION J-J

		DIMENSIONS ARE IN INCHES		NAME	DATE
		TOLERANCES:		DRAWN	PRS 4/15/2010
		FRACTIONAL ±		CHECKED	
		ANGULAR: MACH ±		ENG APPR.	
		TWO PLACE DECIMAL ±.015		MFG APPR.	
		THREE PLACE DECIMAL ±.008		Q.A.	
		MATERIAL		COMMENTS:	
		polypropylene			
NEXT ASSY	USED ON	FINISH			
APPLICATION		DO NOT SCALE DRAWING		SIZE	REV.
				<b>A</b>	
				<b>38-400 CR ASSEMBLY</b>	
				SCALE: 1:1	WEIGHT:
				SHEET 2 OF 1	



SECTION B-B



SECTION A-A

6 THREADS PER INCH  
.167 LEAD 1 1/8 TURNS



		DIMENSIONS ARE IN INCHES		NAME	DATE	<b>38-400 CR UNDER - L</b>
		TOLERANCES:		DRAWN	PRS 4/15/10	
		FRACTIONAL ±		CHECKED		
		ANGULAR: MACH ±		ENG APPE.		
		TWO PLACE DECIMAL ±.015		MFG APPE.		
		THREE PLACE DECIMAL ±.008		Q.A.		
		MATERIAL		COMMENTS:		
NEXT ASSY	USED ON	FINISH				
APPLICATION		DO NOT SCALE DRAWING		3		
				SIZE <b>A</b>	DWG. NO. <b>38-400 CR UNDER-L</b>	REV.
				SCALE: 1:1	WEIGHT:	SHEET 2 OF 2