

IF YOU...



MIX IT. FILL IT. PACK IT. SHIP IT.

WE HAVE A PRODUCT FOR YOU

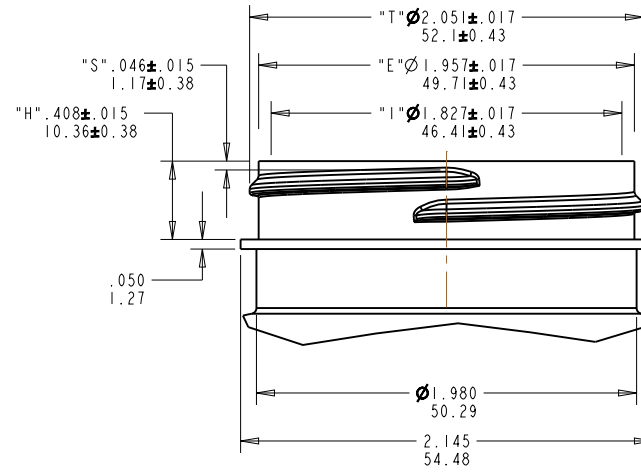
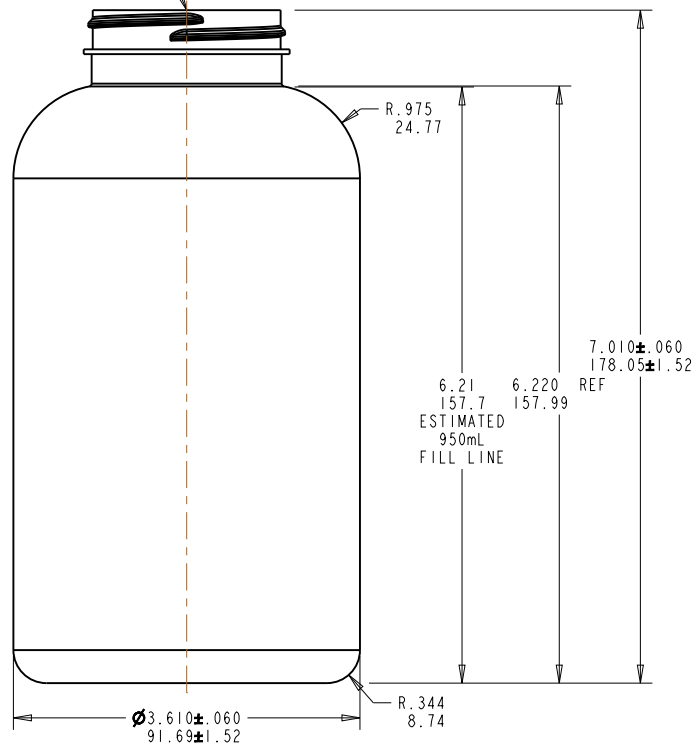
Part #: 30W3PU



The
CARYCOMPANY
Est. 1895

1195 W. Fullerton Ave. | Addison, IL 60101 | T: 630.629.6600 | F: 630.629.3690 |

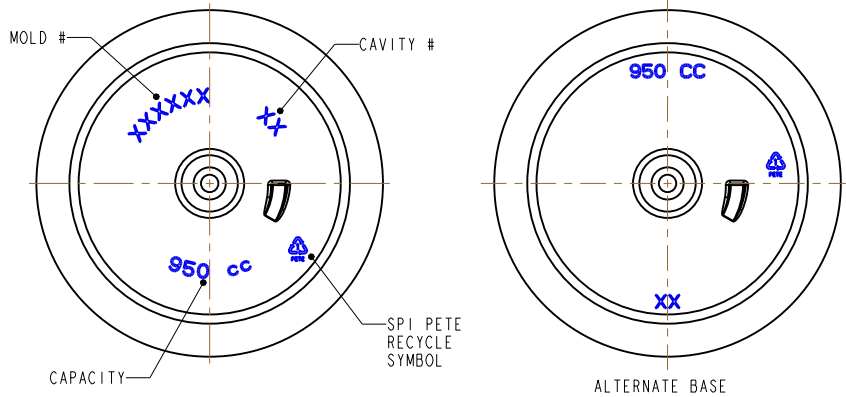
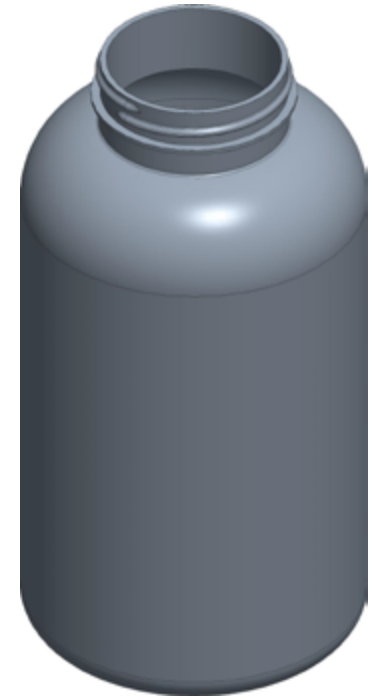
SEE NECK DETAIL



NECK DETAIL:
SCALE 2:1

FINISH SPECIFICATIONS:

1. FINISH: M53SP400
2. NO. OF TURNS: 1 FULL TURN
3. THREADS PER INCH: 6
4. THREAD START: 90° FROM P.L. (AS SHOWN)



NOTES:

1. CRITICAL DIMENSIONS ARE SHOWN WITH TOLERANCES. CRITICAL DIMENSION TO BE USED FOR QC PURPOSES.
2. ALL OTHER DIMENSIONS TO BE USED FOR REFERENCE ONLY.

The
CARY COMPANY
Est. 1895

				TITLE: 950 cc Straight Sided Packer			
				TOLERANCES: UNLESS OTHERWISE SPECIFIED	DRAWN BY: RAB	NECK: M53SP400	WEIGHT (g): 74.0 ± 3.0
				DECIMALS: .XX ±	DATE: Feb-06-20	MIN WALL (in): .015	OVERFLOW (cc): 984 ± 15
				.XXX ±	SCALE: 1:1	CUSTOMER: STOCK	3D FILE No: 10A1105
				.XXXX ±	SHEET: 1 of 1	MATERIAL: PET	DRAWING No: 10A1105
				FRACTIONS: ±	SEE NOTE 1		REV: A
				ANGLES: ±	NPD No: 14751		
REV	ECR	DESCRIPTION	BY	DATE			
A	231	INITIAL RELEASE SUPERSEDES DWG # 950P1XXXXM400 Rev B.	RAB	Feb-06-20			