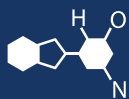


IF YOU...



MIX IT. FILL IT. PACK IT. SHIP IT.

WE HAVE A **PRODUCT** FOR YOU

Part #: 30W3YL

Vented Caps

38mm 38-400 White Ribbed (Smooth Top)
Vented Plastic Cap w/Foam and HIS Liners for HDPE



The
CARYCOMPANY
Est. 1895

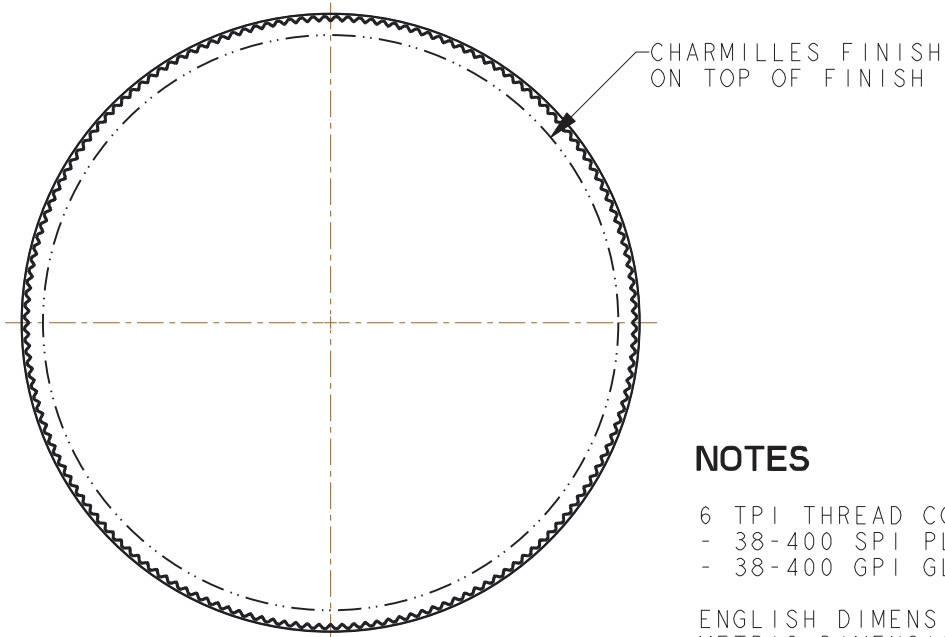
1195 W. Fullerton Ave. | Addison, IL 60101 | T: 630.629.6600 | F: 630.629.3690 |

2

1

B

B

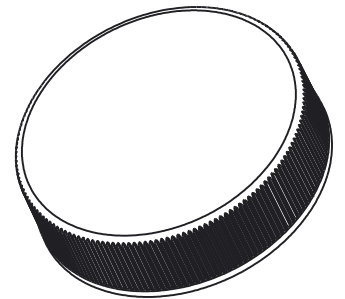
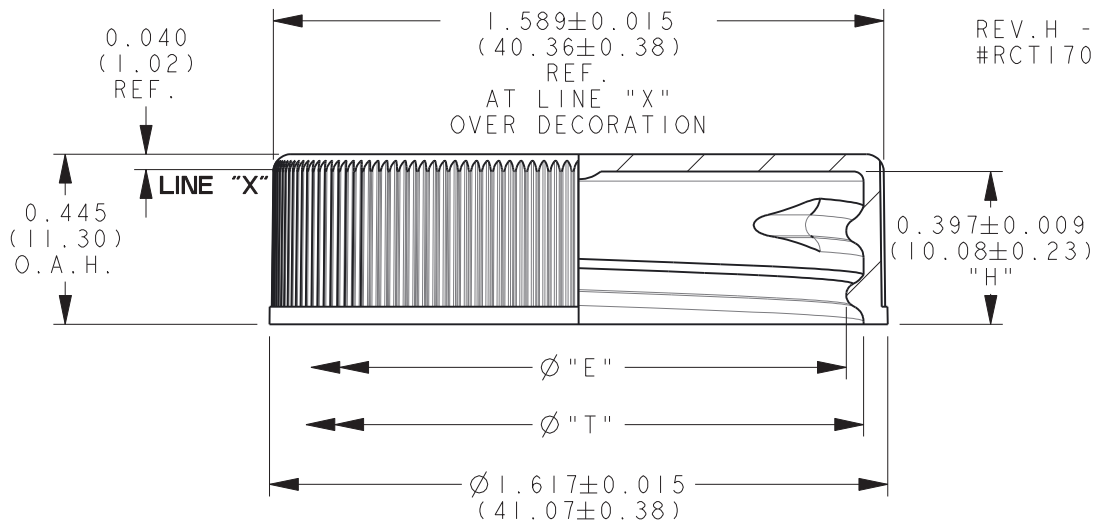


NOTES

- 6 TPI THREAD CONSTR. TO FIT:
- 38-400 SPI PLASTIC FINISH
- 38-400 GPI GLASS FINISH

ENGLISH DIMENSIONS IN INCHES
 METRIC DIMENSIONS IN (mm)

REV.H - 1/19/18 - EPH
 #RCT170623



FULL SCALE

A

A

TOLERANCES UNLESS SPECIFIED
 DEC. ±.007"(±.18) DEGREES ±1°

MATERIAL: PP

GRAM WEIGHT: (REF)

THIS DRAWING IS NOT A CONTROLLED DOCUMENT
 IF PRINTED OR COPIED FROM THE APPROVED
 VAULTING LOCATION.

PRELIMINARY PRODUCT DRAWING
 SPECIFICATIONS ARE SUBJECT TO CHANGE.

LINE "C" IS .166(4.22) DOWN FROM INSIDE TOP

Ø "T" at "C" 1.484(37.69) ±.007(±.18)

Ø "E" at "C" 1.394(35.41) ±.007(±.18)

The **CARY COMPANY**
 Est. 1895

SIZE AND STYLE: **CC38400FTJT**

DRAWING TYPE: **CUSTOMER**

DESCRIPTION: **38mm-400 STOCK FINE RIB CLOSURE**

DRAWING NO: **QIM-317-3422**

PROJECT NO:

CREATED BY: **C. SELMEK/MZ**

CREATION DATE: **FEB14, 1995**

DRAWING REVISION: **H**

SHEET: **1 of 1**

SCALE: **2:1**

SHEET SIZE: **A**

2

1