

IF YOU...



MIX IT. FILL IT. PACK IT. SHIP IT.

WE HAVE A PRODUCT FOR YOU



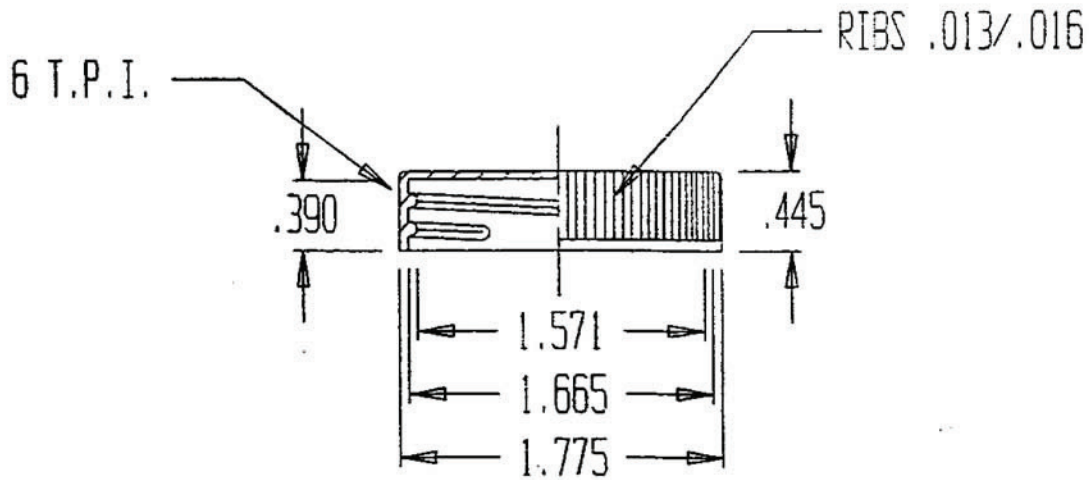
Part #	30W43B
Neck Width	43mm
Neck Finish	43-400
Cap Liner	F-217® 3-Ply Co-extruded Foam Liner
Color	Black
Material	PP
Case Pack	2,200 ea.
Pallet Pack	77,000 ea. (35 Cases)
Case Weight	18.5 lbs.
Case Dimensions	20" x 13.625" x 12.65"
FDA Approved	Yes

REVISIONS			
REV.	DATE	APPROVAL	DESCRIPTION



Supplied By: **The Cary Company**
 Ph: 630-629-6600
 www.thecarycompany.com

APPROVED
 06.8-27-98



UNCONTROLLED
 COPY

"T"	"E"	"H"	"A"	"B"
1.665	1.571	.390	1.775	.445
MATERIAL: POLYPROPYLENE				
WEIGHT: 3.5 GRAMS				

"RMX" 43MM-400 CAP	
TOLERANCE: +/- .010	DRAWN BY: P.D.T.
SCALE: FULL	DATE: 8-27-98
DRAWING NO. C-5009	