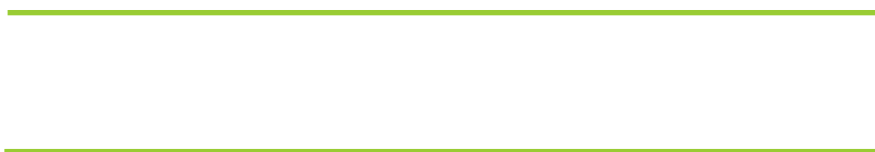


IF YOU...



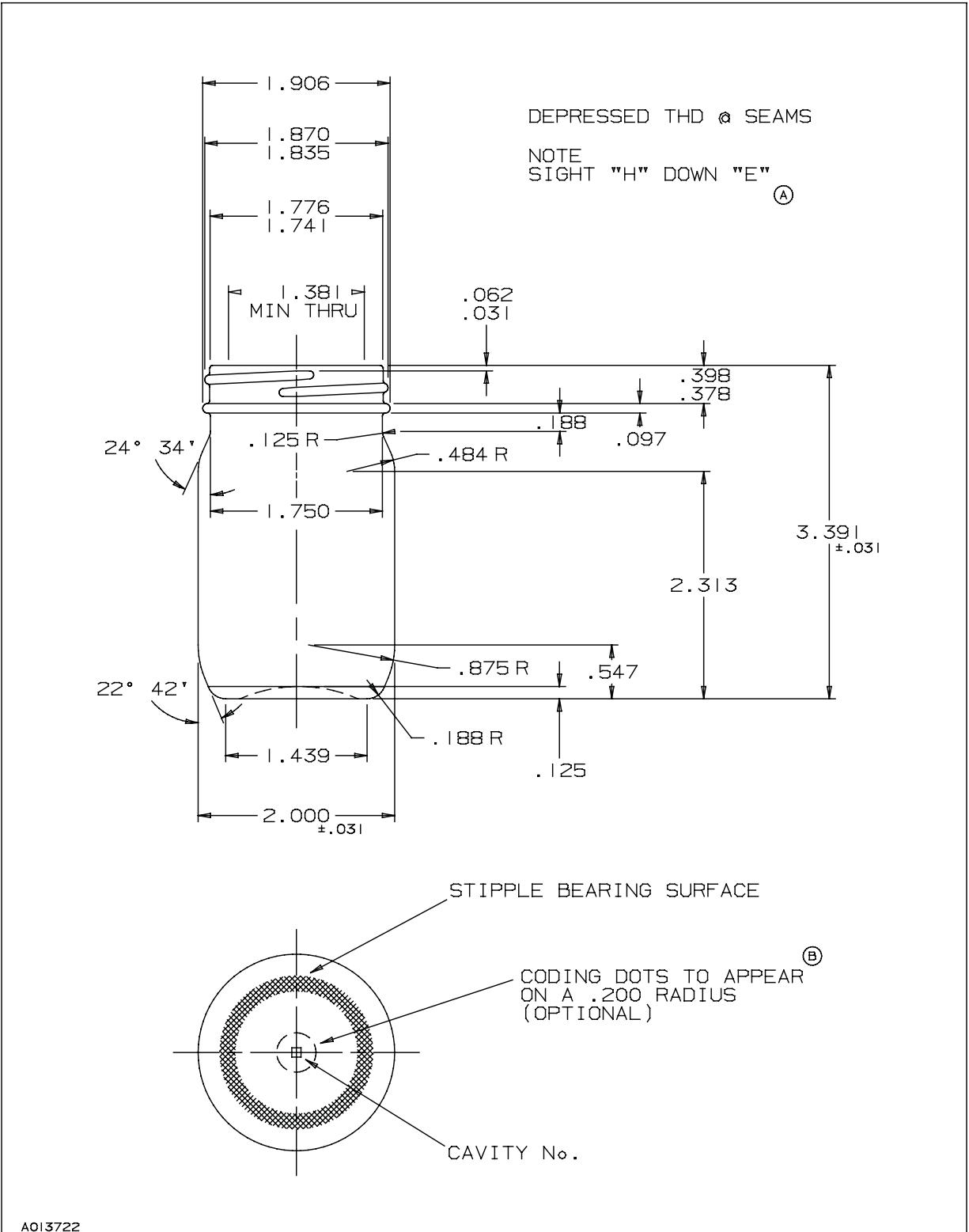
MIX IT. FILL IT. PACK IT. SHIP IT.

WE HAVE A PRODUCT FOR YOU



Part #	30W448
Capacity	4 oz.
Color	Clear
Material	Glass
Neck Finish	48-400
Neck Width	48mm
Case Pack	24 ea.
Note	Packed in a 24x1 Re-Shipper Carton, 24/bx





A013722		MOLD REGISTER NO. M-1058R		DATE DRAWN 12-16-94	(B) REMOVE TRADEMARK, ADD CODING DOTS 1-19-99
CUSTOMER	4 oz ECONO	SCALE FULL UNLESS OTHERWISE SPECIFIED	DRAWN BY J. CAMP	(A) ADDED FINISH NOTE 1-9-95	REVISIONS
PRACTICAL FILL	4 oz	APPROX. WGT. 3.0 oz	CHECKED BY		
CAPACITY	125.69cc ± 2.77cc OF.				DRAWING NO: DE-36951B
FINISH	GPI-400-48mm-405	85 GRAMS FLINT			