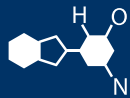


IF YOU...



MIX IT. FILL IT. PACK IT. SHIP IT.

WE HAVE A **PRODUCT** FOR YOU

Part #30W44B

Continuous Thread Caps

45mm 45-400 Black Ribbed (Smooth Top)
Plastic Cap w/HIS TE Liner



The
CARYCOMPANY
Est. 1895

1195 W. Fullerton Ave. | Addison, IL 60101 | T: 630.629.6600 | F: 630.629.3690 | TheCaryCompany.com

SMOOTH TOP & RIBBED SIDES

45-400-73 S



Specifications:

DIAMETER 45 mm
THREAD PROFILE 400
NECK FINISH 45-400
CLOSURE TOP Smooth
CLOSURE SIDEWALL Fine Ribbed
MATERIAL PP

PACKAGING & FREIGHT INFORMATION

PACK TYPE	PCS/CTN	CTNS/PALT	PCS/PALT	CTN WT*	PALT WT*	FRT CLASS
Bulk	2,750	15	41,250	20 ⁽¹⁾	300 ⁽¹⁾	125 ⁽¹⁾
Bulk	2,750	15	41,250	20 ⁽²⁾	303 ⁽²⁾	125 ⁽²⁾
CARTON DIMENSIONS: 24 x 16 x 15			PALLET DIMENSIONS: 48 x 40 x 50			

(1) Unlined Closures (2) Lined Closures *Approximate

MARKETS

Food, Personal Care & Cosmetics, Pharmaceuticals, Nutraceuticals, Dairy Products, and Medical Products.

OPTIONS

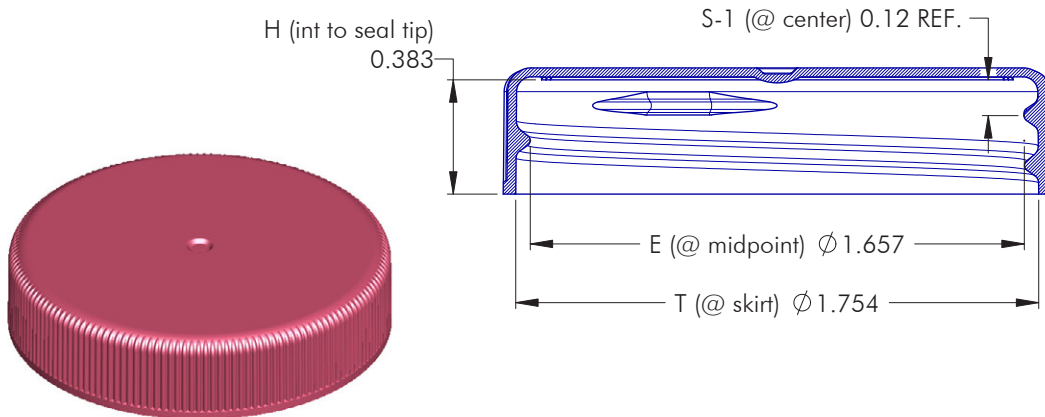
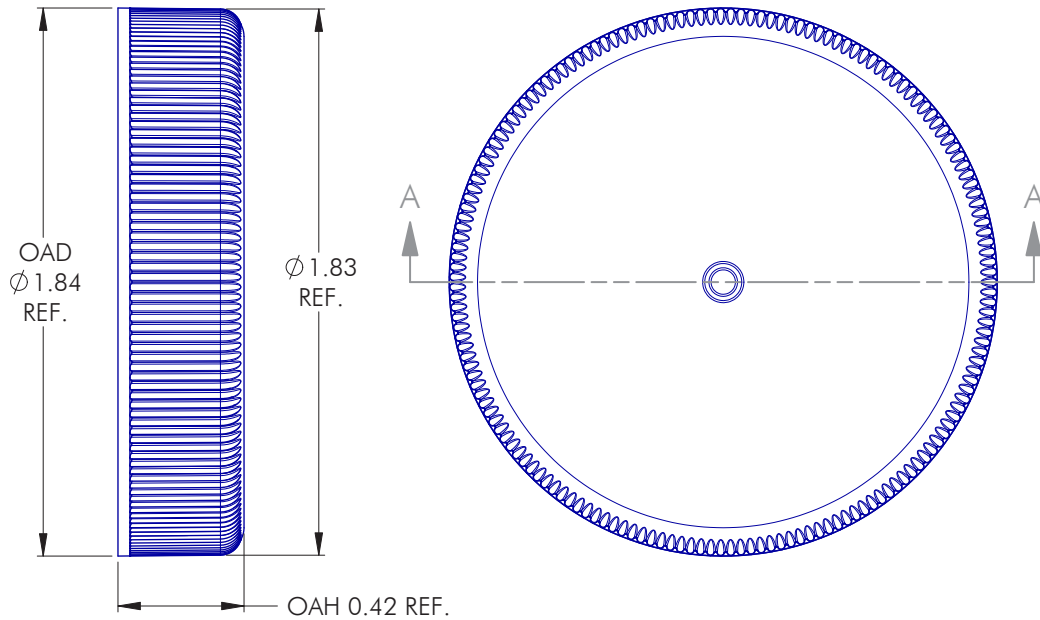
Available in white, standard, and custom colors. Can be lined with a wide variety of liner systems including SureSeal (foam), pressure sensitive and heat induction (foil) liners.

CLOSURE BENEFITS

- A great general-purpose closure
- Fine-ribbed sides are easier to grip
- Popular for vitamins and nutraceuticals
- Stocked in white (colors available)

SMOOTH TOP & RIBBED SIDES

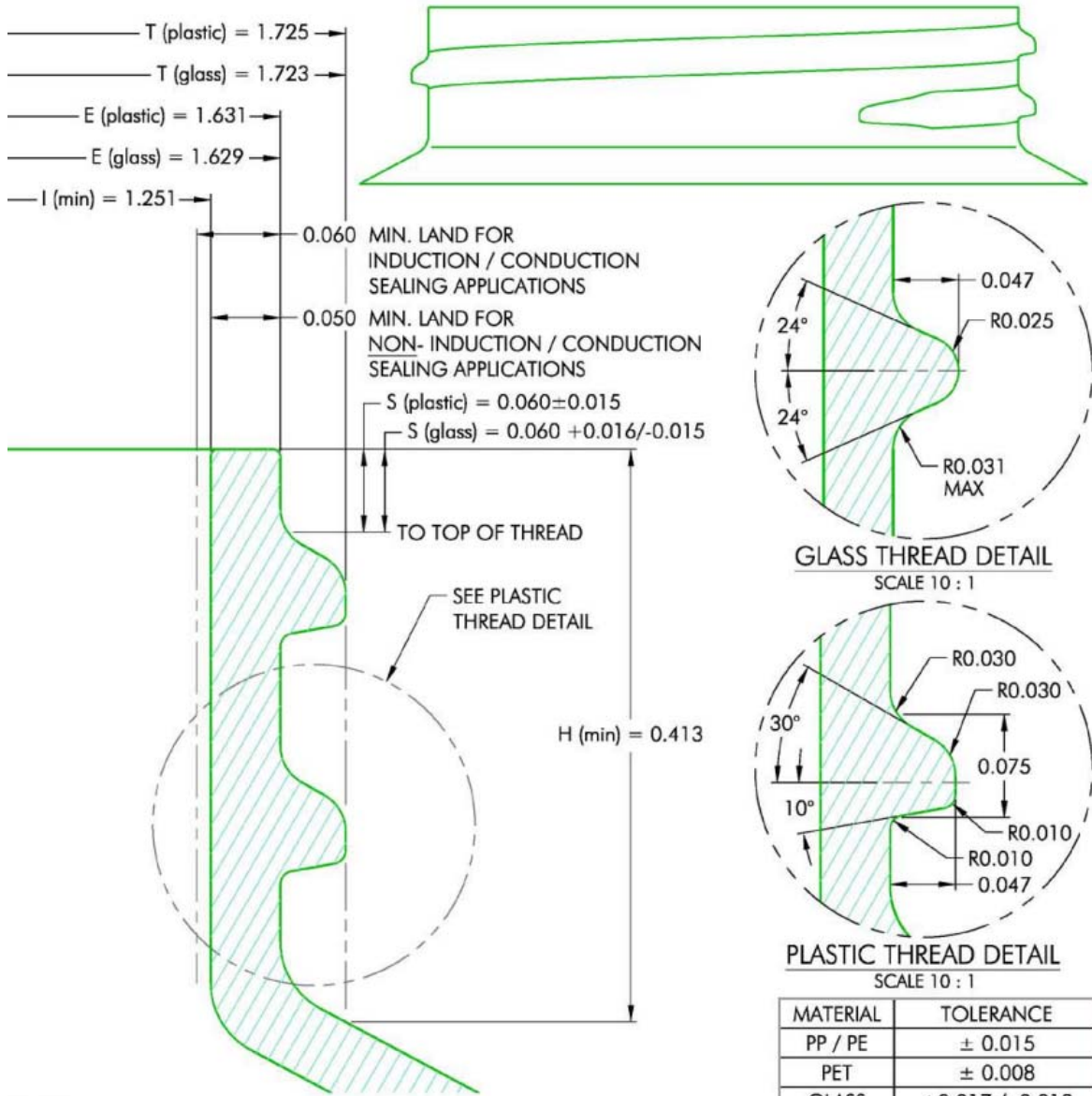
45-400-73 S



NOTES: (UNLESS OTHERWISE SPECIFIED) 1. ALL DIMENSIONS ARE IN INCHES. 2. SEE CHART FOR DIMENSIONAL TOLERANCE.				0	01.16.08	Released	DN
REV	DATE	DESCRIPTION				BY	
TOLERANCE	PITCH/TPI	.167 / 6	TURNS	1-1/8	MAT'L	PP	
.X	± 0.1	DRAWN	DMN	DATE	01.16.08	SCALE	2 : 1
.XX	± 0.02	45 - 400 - 73 S				REV	0
.XXX	± 0.010						

SMOOTH TOP & RIBBED SIDES

45-400-73 S



NOTES: (UNLESS OTHERWISE SPECIFIED)
 1. ALL DIMENSIONS ARE IN INCHES.
 2. SEE CHART FOR DIMENSIONAL TOLERANCE.

0	09.17.96	Released	BZ
REV	DATE	DESCRIPTION	BY
TOLERANCE	PITCH/TPI .167 / 6	TURNS 1-1/8	MAT'L Per Chart
.X ± 0.1	DRAWN BEZ	DATE 09.17.96	SCALE 10 : 1
.XX ± 0.02	45 - 400 - FINISH		REV
.XXX ± 0.010			0