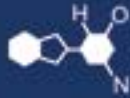


IF YOU...



MIX IT. FILL IT. PACK IT. SHIP IT.

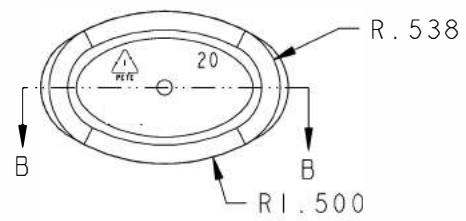
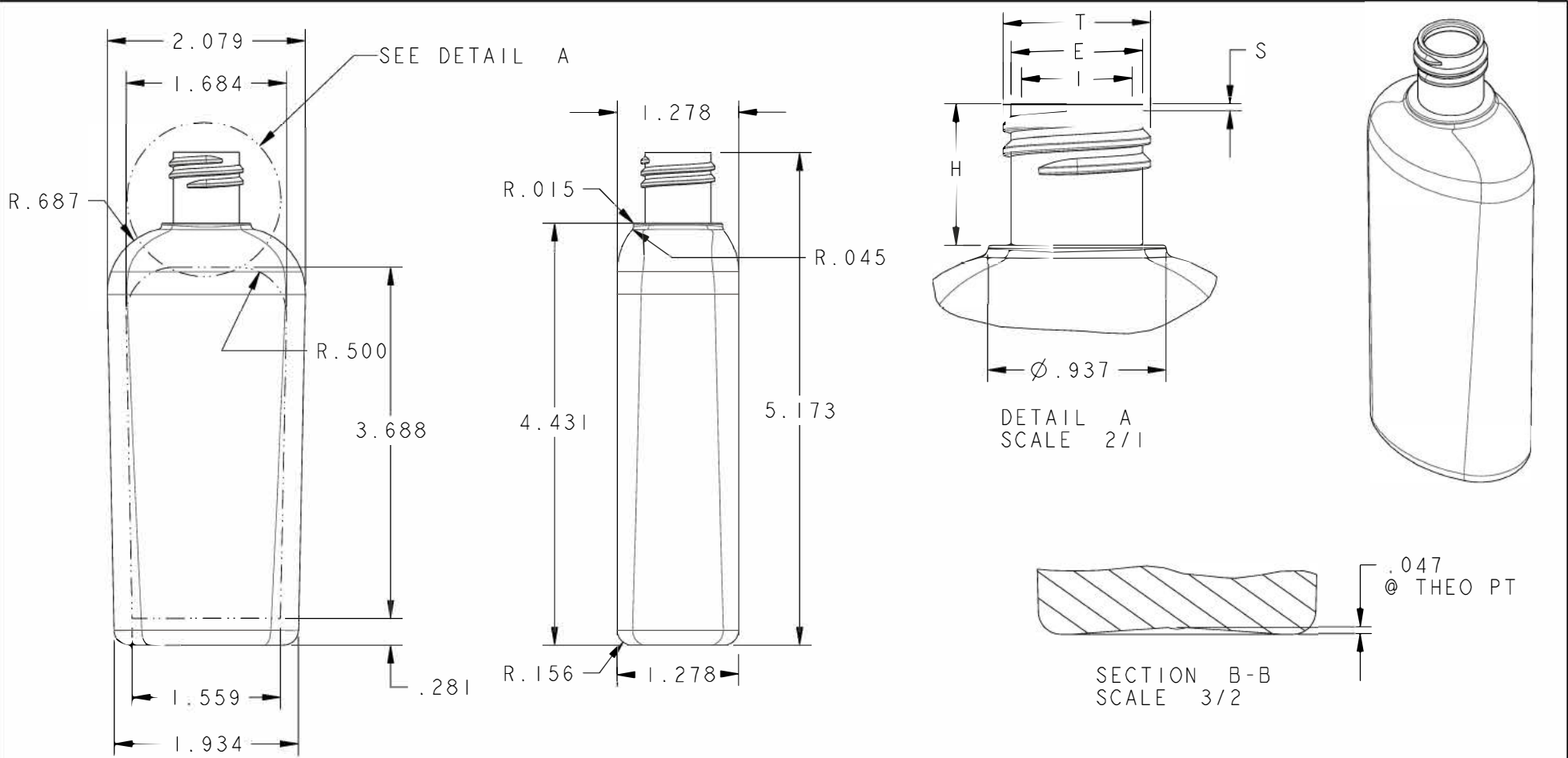
WE HAVE A **PRODUCT** FOR YOU

Part #: 30W4AB



The
CARYCOMPANY
Est. 1895

1195 W. Fullerton Ave. | Addison, IL 60101 | T: 630.629.6600 | F: 630.629.3690 |



Neck Finish: M20SP415		DISCLAIMER: The Cary Co. assumes no responsibility for form, fit and function of closures, accessories, and/or shelf life and compatibility of intended contents with this bottle.												
All measurements are in inches	Min Thk	Color	Weight	Std. Pack	Revisions <table border="1"> <tr><td> </td><td> </td><td> </td></tr> <tr><td> </td><td> </td><td> </td></tr> <tr><td> </td><td> </td><td> </td></tr> </table>									
	.010	All Colors	20 Gms±1	500, Bulk										
Neck Dimensions:		Tolerance: Where not shown		The CARY COMPANY <small>Est. 1905</small>	Scale: Drawn By: SCT Date: 04-26-06 DwgRev: -									
T = .775±.008	E = .691±.008	Decimal ±0.050												
H = .742±.015	I = .581±.015	Angular ±1°		125ml OVAL, VALE, PET, 20-415 CT	Approved By: S Jenn Drawing NO: 30W4AB									
I = .581±.015	S = .037±.015	Material: PET												
		Overflow Capacity: 131.5 mls ± 4												