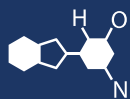


IF YOU...



MIX IT. FILL IT. PACK IT. SHIP IT.

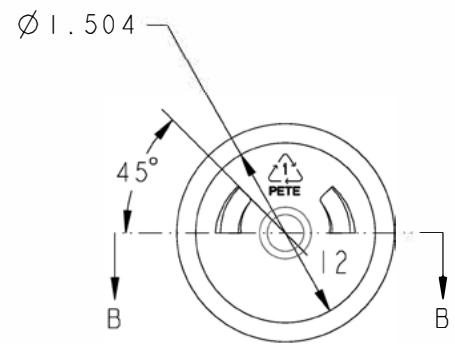
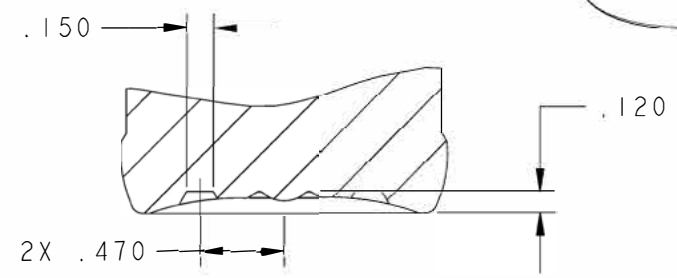
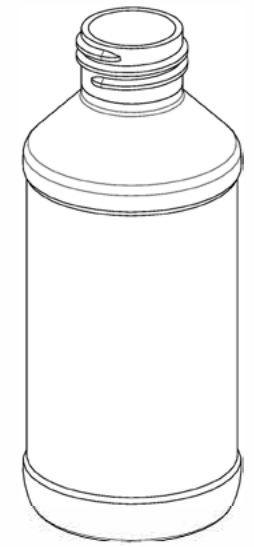
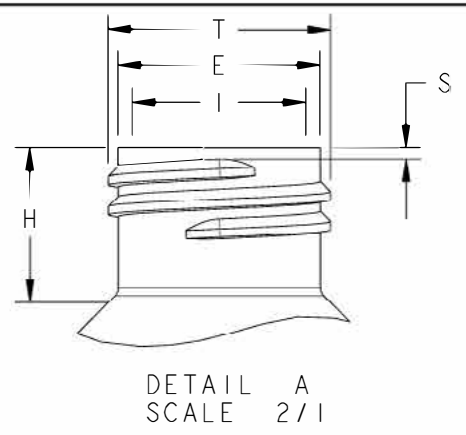
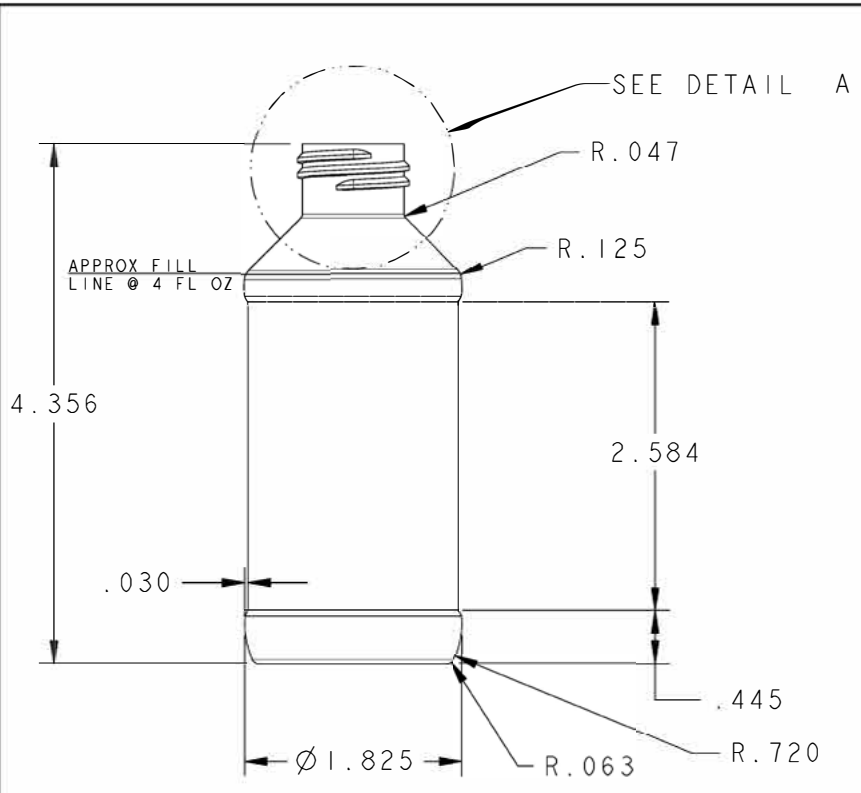
WE HAVE A **PRODUCT** FOR YOU

Part #: 30W4MR



The
CARYCOMPANY
Est. 1895

1195 W. Fullerton Ave. | Addison, IL 60101 | T: 630.629.6600 | F: 630.629.3690 |



DETAIL A
SCALE 2/1

SECTION B-B
SCALE 3/2

Neck Finish: M24SP410							
All measurements are in inches	Min Thk		Weight	Std. Pack	Revisions		The CARY COMPANY Est. 1895
	.010	All Colors	14.8 Gms±1	500, Bulk	A MIN WALL THK WAS .015, S.J.		
					B OAH was 4.336		Scale: _____ Drawn By: SCT Date: 03-27-01
Neck Dimensions:				Tolerance: Where not shown		4oz MODERN ROUND, PET, 24-410	
T = .932±.008				Decimal ±0.050		4MR24410PET	
E = .848±.008				Angular ±1°		DwgRev B	
H = .646±.015				Material: PET		Approved By: SJ	
I = .516 MIN						Drawing NO: 4MR1MN24M410	
S = .046±.015				Overflow Capacity: 135 ml ± 5			