

IF YOU...



MIX IT. FILL IT. PACK IT. SHIP IT.

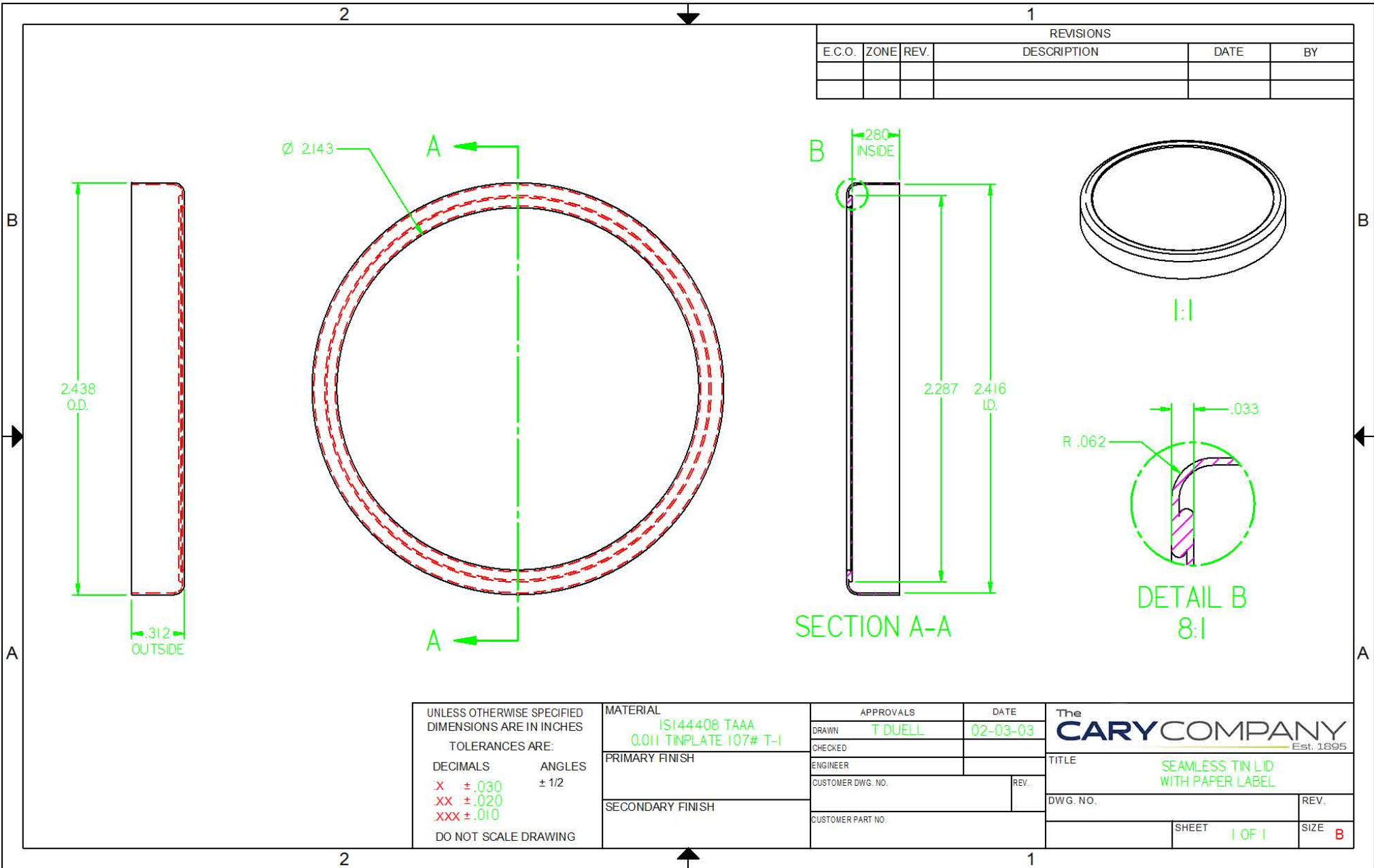
WE HAVE A PRODUCT FOR YOU



Part #	30W4SL
Color	Silver
Material	Tin



REVISIONS					
E.C.O.	ZONE	REV.	DESCRIPTION	DATE	BY



UNLESS OTHERWISE SPECIFIED
DIMENSIONS ARE IN INCHES
TOLERANCES ARE:
DECIMALS ANGLES
X ± .030 ± 1/2
XX ± .020
XXX ± .010
DO NOT SCALE DRAWING

MATERIAL
ISI44408 TAAA
0.011 TINPLATE 107# T-1
PRIMARY FINISH
SECONDARY FINISH

APPROVALS	DATE
DRAWN T. DUELL	02-03-03
CHECKED	
ENGINEER	
CUSTOMER DWG. NO.	REV.
CUSTOMER PART NO.	

The
CARY COMPANY
Est. 1895
TITLE
SEAMLESS TIN LID
WITH PAPER LABEL
DWG. NO.
REV.
SHEET 1 OF 1
SIZE B