

IF YOU...



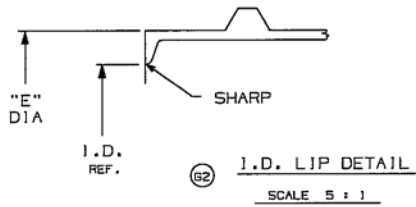
MIX IT. FILL IT. PACK IT. SHIP IT.

WE HAVE A **PRODUCT** FOR YOU

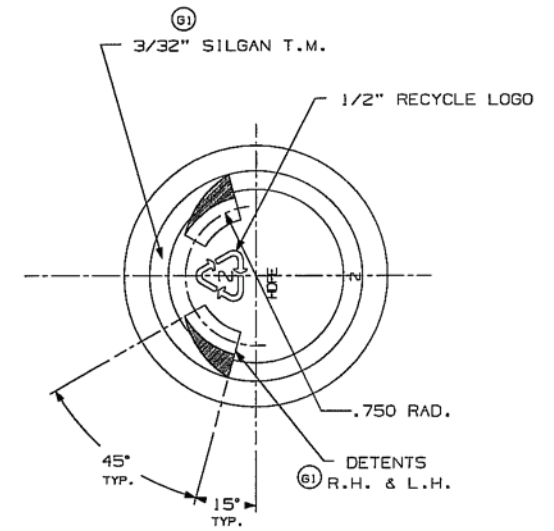
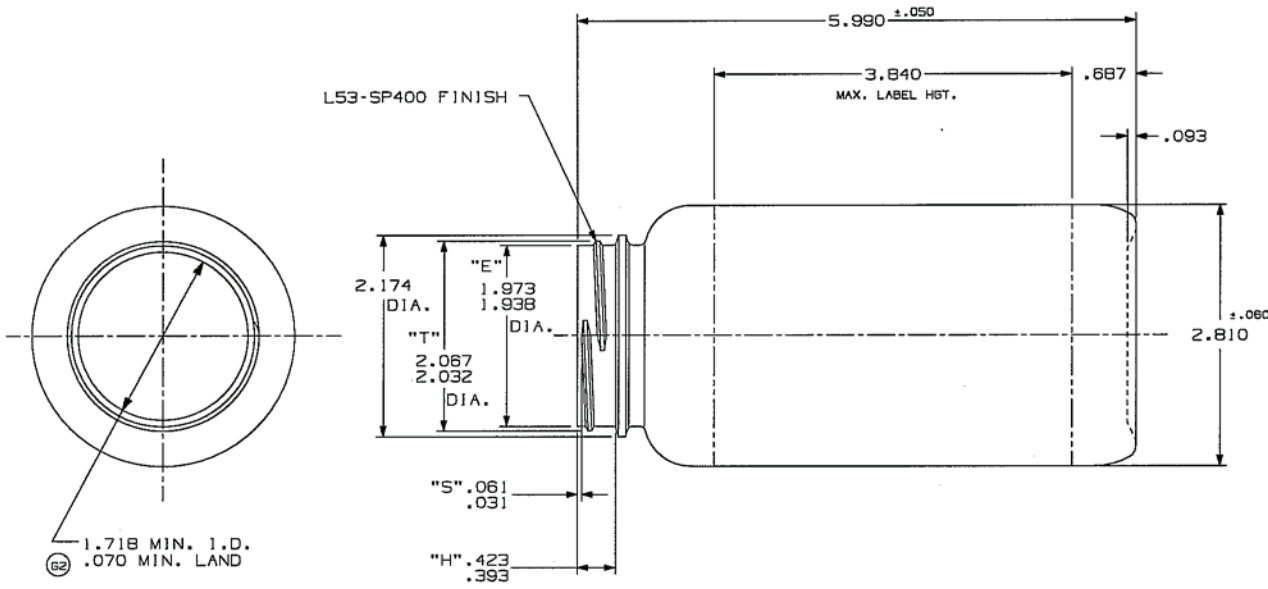
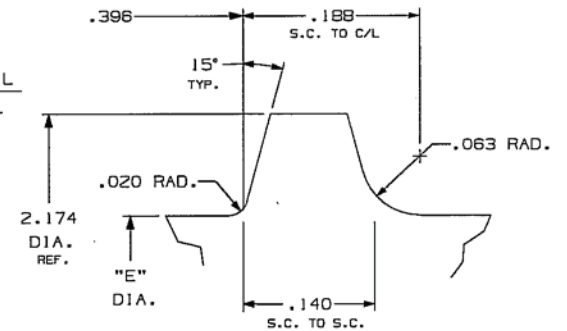
Part # 30W500

16 oz. (500cc) Natural HDPE Plastic Packer
Bottle, 53mm 53-400





BEAD DETAIL
SCALE 10 : 1



NOTES :

- 1) OVERFLOW CAPACITY : 17.73 ± .37 FL.OZ. (524.3 ± 11.0 CC'S.)
- 2) WEIGHT : 32.0 ± 2.0 GRAMS
- 3) TREAT SEALING LAND ON FINISH
- 4) VERTICAL LABEL BREAK :
SCREEN PROCESS : .812
HEAT TRANSFER : .375
PAPER LABEL : NONE

The **CARY COMPANY**
Est. 1895

Supplied By: **The Cary Company**
Ph: 630-629-6600
www.thecarycompany.com

J	ADDED WGT & OFC, RM HDM 78179, UPDATE TO STD'S	10/11/99	J.E.HANEY
H	ADDED CODE CHART, RFP	8/2/92	J.E.HANEY
G4	REDRAWN & UPDATED	2/25/92	H.N.T.
G3	CODE # WAS HDS, MOLD ASS'Y # WAS TD31-7105		
G2	LIP DETAIL & .070 LAND ADDED		
G1	QMSO DETENT & 3/32" T.M. ADDED		
LTR	DESCRIPTION	DATE	APPROVED
REVISIONS			

J	3	HDM 78478
H	2	HDM 78328
	1	HDM 78825
CODE CHART		

DIMENSIONS SHOWN ARE:
 AS MOLDED AFTER TREAT
 AFTER TREAT & DECO UV AFTER TREAT & FLAME GLOSS

DRAWN BY	W.F.S.	MATERIAL	HDPE	CUSTOMER
DATE	1/5/70	QUOTE NO.	06-099-14	DESCRIPTION
DWG. SIZE	C	LABEL DWG. NO.		
INFO.		REF. DWG. NO.	MC-SK-5850	500 CC W/M ROUND
PROJECT NO.		TOOLING NO.	TD31-13376	
CAD	UG	CODE NO.	SEE CHART	
SCALE	FULL	SURF. AREA		DRAWING NO.
				MC-9-6250-J