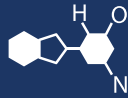


IF YOU...



MIX IT. FILL IT. PACK IT. SHIP IT.

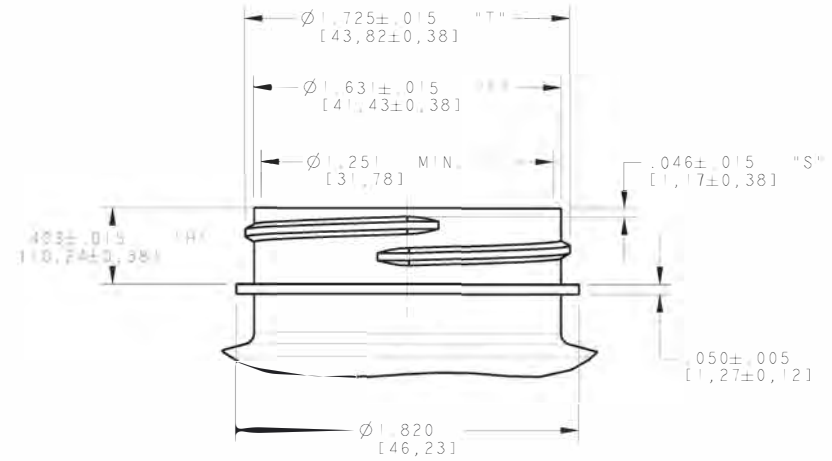
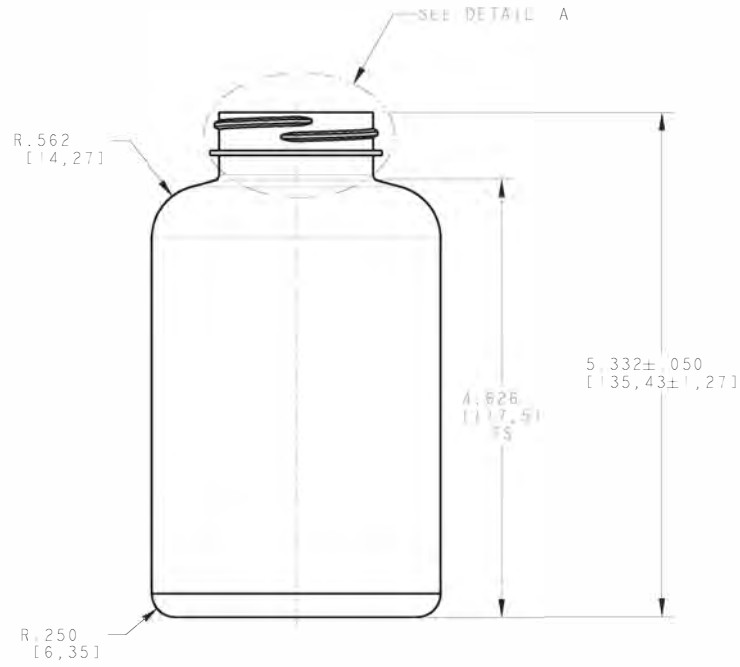
WE HAVE A PRODUCT FOR YOU

Part #: 30W506

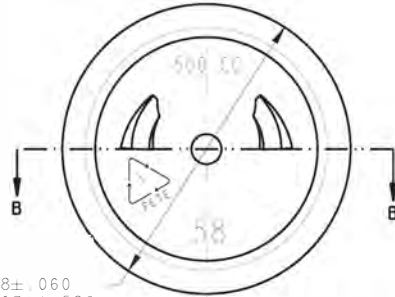
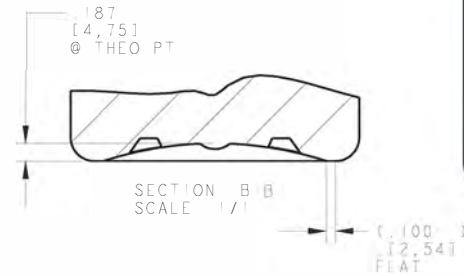
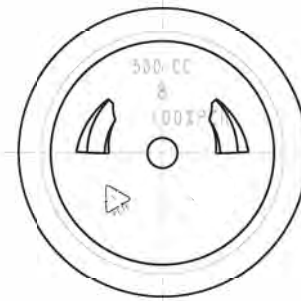


The
CARYCOMPANY
Est. 1895

1195 W. Fullerton Ave. | Addison, IL 60101 | T: 630.629.6600 | F: 630.629.3690 |



DETAIL A
L34-400 NECK FINISH
6 T.P. 1" TREAD TURN
.125 MIN. "I" DEPTH
SCALE 2/1



$\phi 3.058 \pm .060$
[77,67±1,52]

ALT BOTTOM P

NPD #		DISCLAIMER:				Revisions		The CARY COMPANY Est. 1893	
Color	Min. Thk (in)	Weight (g)	Overflow (mL)						
All molded weight (g)	0.17 ± 0.3	45.0 ± 3.0g	525.0 ± 13.5						
All colors weight (g)	0.15 ± 0.3	41.5 ± 3.0g	521.0 ± 13.5						
NECK FINISH	L34-400							500cc STRAIGHT SIDED, PET	
MATERIAL:	PET							45-400, CT	
								500S4SPET	
								L	
								S/J 500PSIXX45L400	